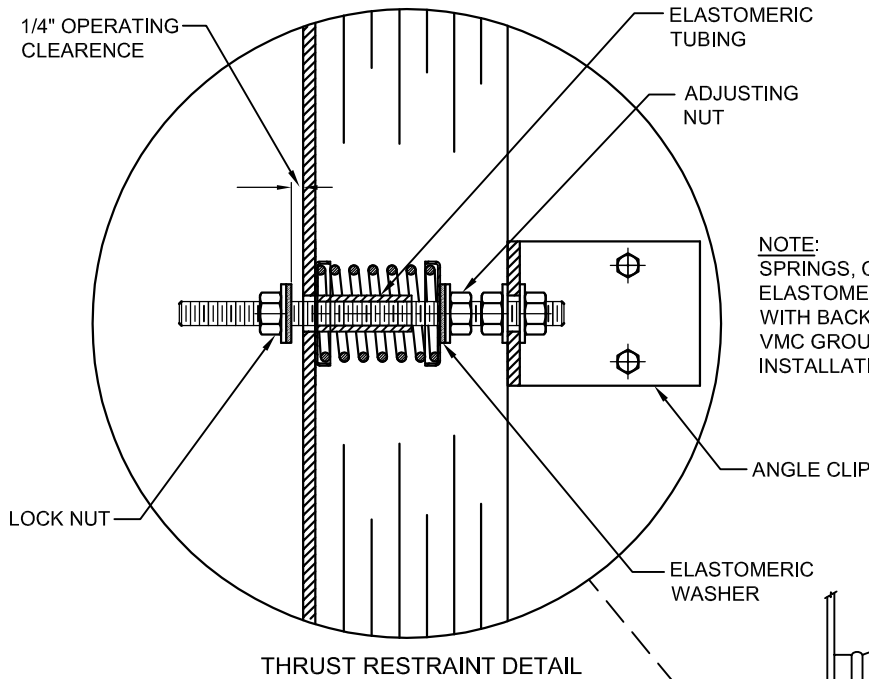
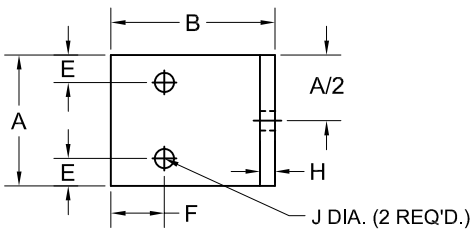
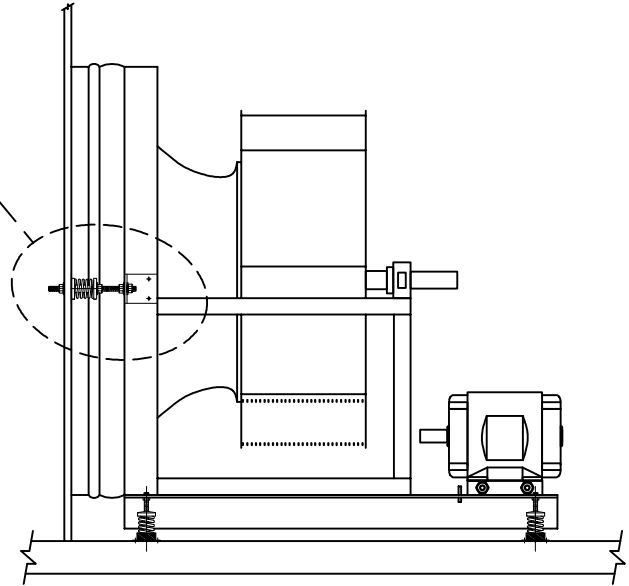


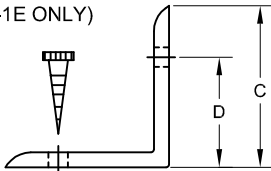
REV.	DESCRIPTION	DATE	BY



NOTE:
 SPRINGS, CUPS, WASHERS,
 ELASTOMERIC TUBING AND ANGLE CLIPS
 WITH BACKUP PLATES (TRK-1E ONLY) BY
 VMC GROUP. THREAD ROD AND
 INSTALLATION BY OTHERS.



SELF-TAPPING SCREW FOR J DIA. HOLE
 BY OTHERS (BOLT AND NUT FOR J DIA. HOLE
 USED WITH TRK-1E ONLY)



ANGLE CLIPS
 (1 REQ'D./RESTRAINT)
 (TOTAL (2) PER SET)

MATCHING 1/4"
 BACKUP PLATE
 USED ON TRK-1E
 ONLY

THRUST RESTRAINT KITS	DIMENSIONS (IN.)							
	A	B	C	D	E	F	H	J
TRK-1C	3	4	3	2	1/2	1-1/2	1/4	1/4
TRK-1D	4	4	3	2	1	1-1/2	3/8	3/8
TRK-1E	4	4	4	2-3/8	1	1-1/2	1/2	1/2

KIT CONSIST OF 2 ASSEMBLIES, SHIPPED LOOSE, TO BE FIELD ASSEMBLED AS REQUIRED.

(SUPERSEDES DRAWING H-1059 PER ECN-R0414)

OTHER MATERIALS, COMPOUNDS, OR FINISHES WITH EQUAL OR SUPERIOR PROPERTIES MAY BE SUBSTITUTED AS THEY BECOME AVAILABLE.

CERTIFIED FOR:

JOB NAME: _____
 CUSTOMER: _____
 CUSTOMER P.O.: _____
 SALES ORDER: _____

MODEL TRK THRUST RESTRAINT KIT DETAIL FOR PLENUM FANS



THE VMC GROUP
The Power of Together
 Bloomingdale, NJ 07403
 Houston, TX 77041

SCALE:
 NONE

SHEET:



DRAWING NO.:

REVISION