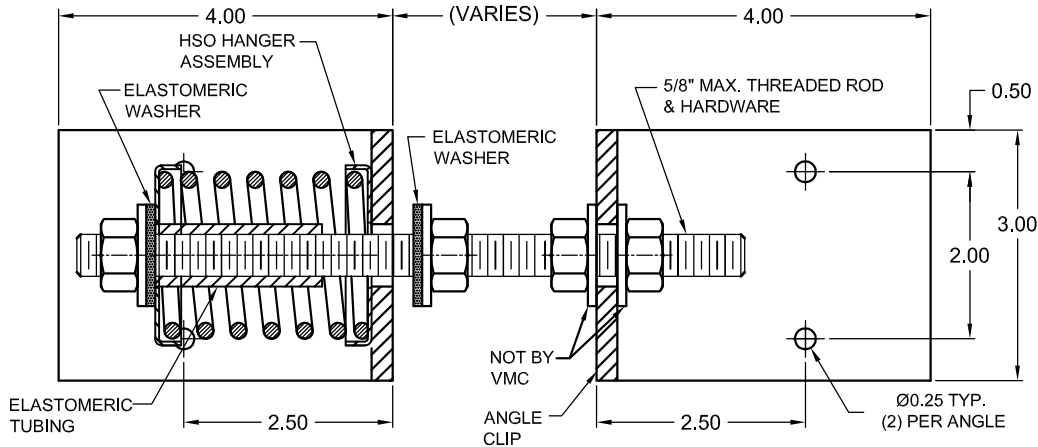
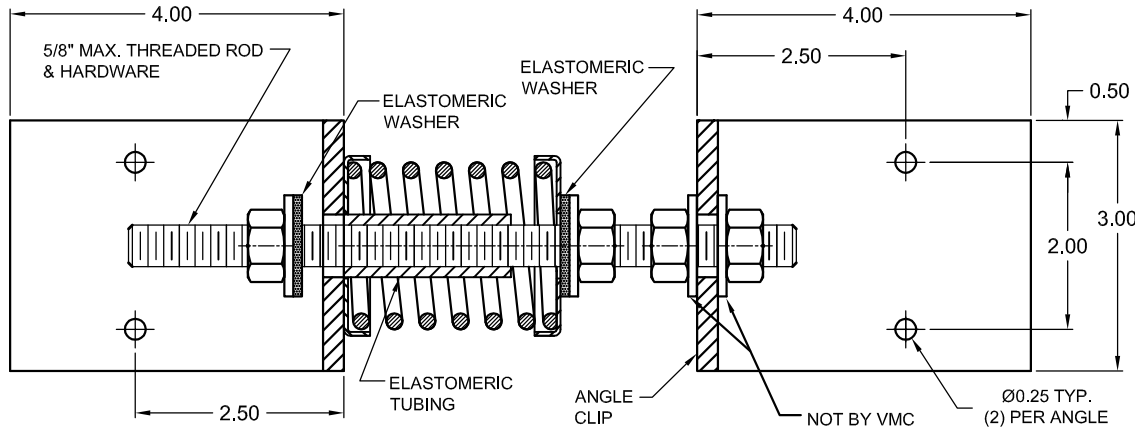


| REV. | DESCRIPTION | DATE | BY |
|------|-------------|------|----|
| | | | |



EXTERNAL SPRING BRACKET INSTALLATION



INTERNAL SPRING BRACKET INSTALLATION

| TYPE TRK-1C THRUST RESTRAINT KIT FOR 1" NOMINAL DEFLECTION | | | | |
|---|----------------|-----------------|---------------------|-------------------|
| MODEL | MAX LOAD (LBS) | DEFLECTION (IN) | SPRING RATE (LB/IN) | SPRING COLOR CODE |
| TRK-1C-30 | 30 | 1.00 | 30 | DK GRAY |
| TRK-1C-50 | 50 | 1.00 | 50 | GREEN |
| TRK-1C-100 | 100 | 1.00 | 100 | BLUE |
| TRK-1C-200 | 200 | 1.00 | 200 | TAN |
| TRK-1C-300 | 300 | 1.00 | 300 | RED |
| TRK-1C-500 | 500 | 0.83 | 600 | BLACK |
| TRK-1C-600 | 600 | 0.75 | 800 | DK YELLOW |
| TRK-1C-740 | 740 | 0.75 | 986 | YELLOW |
| TRK-1C-1040N ¹ | 1040 | 0.75 | 1386 | YELLOWGREEN |

NOTES:
1. TWO NESTED SPRINGS YIELD THIS LOAD. THE COLOR CODE INDICATED IS FOR OUTER SPRING/ INNER SPRING.

NOTES:

- HANGER RODS AND NUTS, AS SHOWN, NOT BY THE VMC GROUP.
- STANDARD FINISH SPRING - POWDER COAT. HARDWARE: ZINC-ELECTROPLATE.
- ALL DIMENSIONS IN INCHES. INTERPRET PER ANSI Y14.
- ALL DIMENSIONS ARE FOR REFERENCE, DIMENSIONS SHOWN AS NOMINAL.
- ALL SPRINGS ARE DESIGNED WITH MINIMUM 50% OVER-TRAVEL.
- SEE DRAWING 135R-101271 FOR HSO CONSTRUCTION.
- THRUST RESTRAINT KIT CONSIST OF 2 ASSEMBLIES, SHIPPED LOOSE, TO BE FIELD ASSEMBLED AS REQUIRED.
- KIT'S MAX LOAD (LBS.) ON TABLE IS EQUAL TO FORCE BEING RESISTED BY 1 KIT CONSISTING OF 2 ASSEMBLIES (EX: TRK-1C 100 CONSIST (2) 50 LBS. CAPACITY ASSEMBLIES).

OTHER MATERIALS, COMPOUNDS, OR FINISHES WITH EQUAL OR SUPERIOR PROPERTIES MAY BE SUBSTITUTED AS THEY BECOME AVAILABLE.

CERTIFIED FOR:

JOB NAME: _____
 CUSTOMER : _____
 CUSTOMER P.O.: _____
 SALES ORDER: _____

**MODEL TRK 1C KIT 30-1040 LBS.
 THRUST RESTRAINT DETAIL
 1 INCH DEFLECTION**



THE VMC GROUP
The Power of Together
 Bloomingdale, NJ 07403
 Houston, TX 77041

SCALE :

NONE

SHEET:



DRAWING NO.:

REVISION