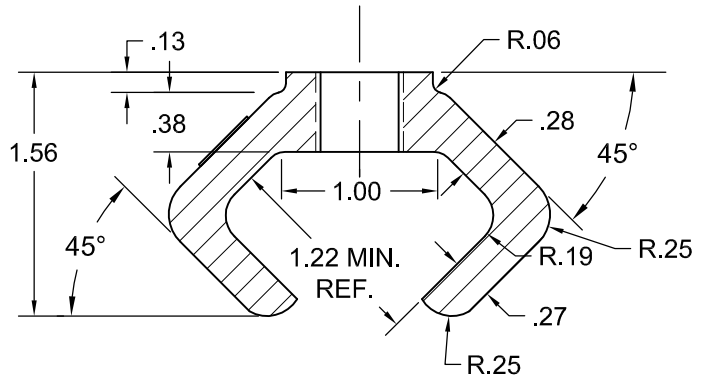
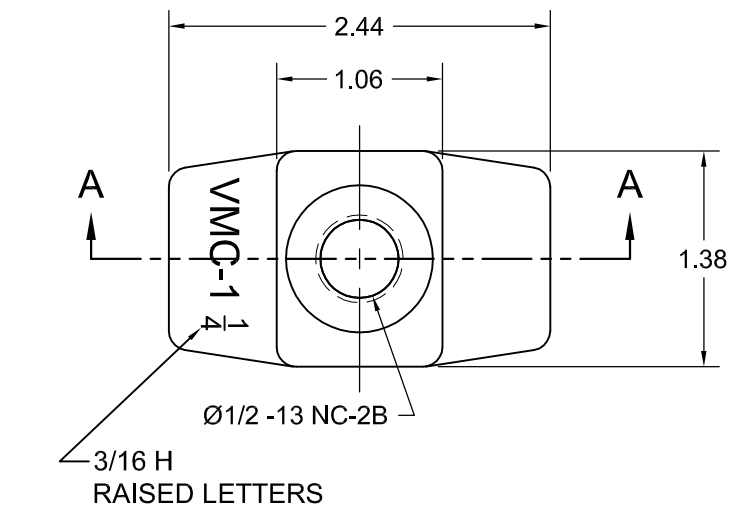
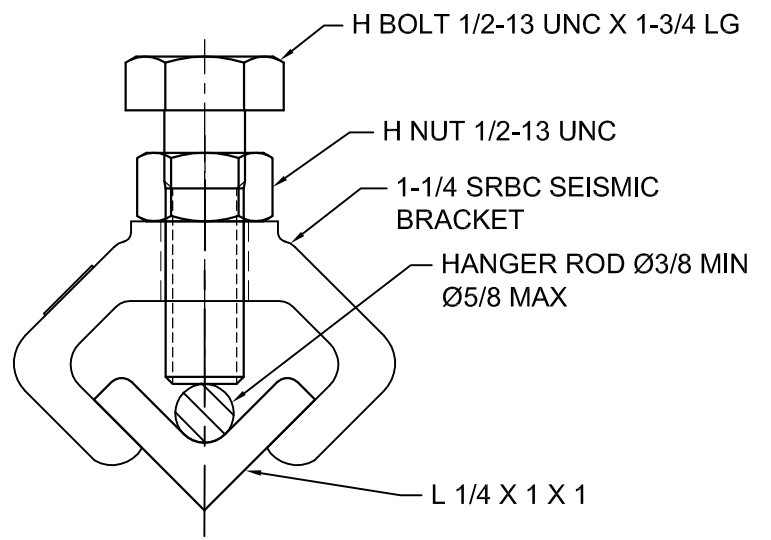
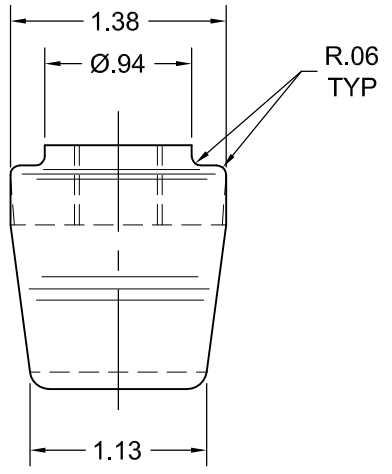


REV.	DESCRIPTION	DATE	BY



SECTION A-A



- NOTES:
1. MATERIAL : GRAY CAST IRON PER ASTM A48-83.
 2. ALL RADII TO BE 1/8"R U.O.N.
 3. TOLERANCES TO BE ±.030 U.O.N.
 4. EST. PIECE WT: .56 LB.

OTHER MATERIALS, COMPOUNDS, OR FINISHES WITH EQUAL OR SUPERIOR PROPERTIES MAY BE SUBSTITUTED AS THEY BECOME AVAILABLE.

CERTIFIED FOR:

JOB NAME: _____

CUSTOMER: _____

CUSTOMER P.O.: _____

SALES ORDER: _____

MODEL SRBC 1.25 SEISMIC RESTRAINT ROD STIFFENER BRACKET

THE VMC GROUP
The Power of Together
 Bloomingdale, NJ 07403
 Houston, TX 77041

SCALE:	NONE	
SHEET:		
DRAWING NO.:		REVISION