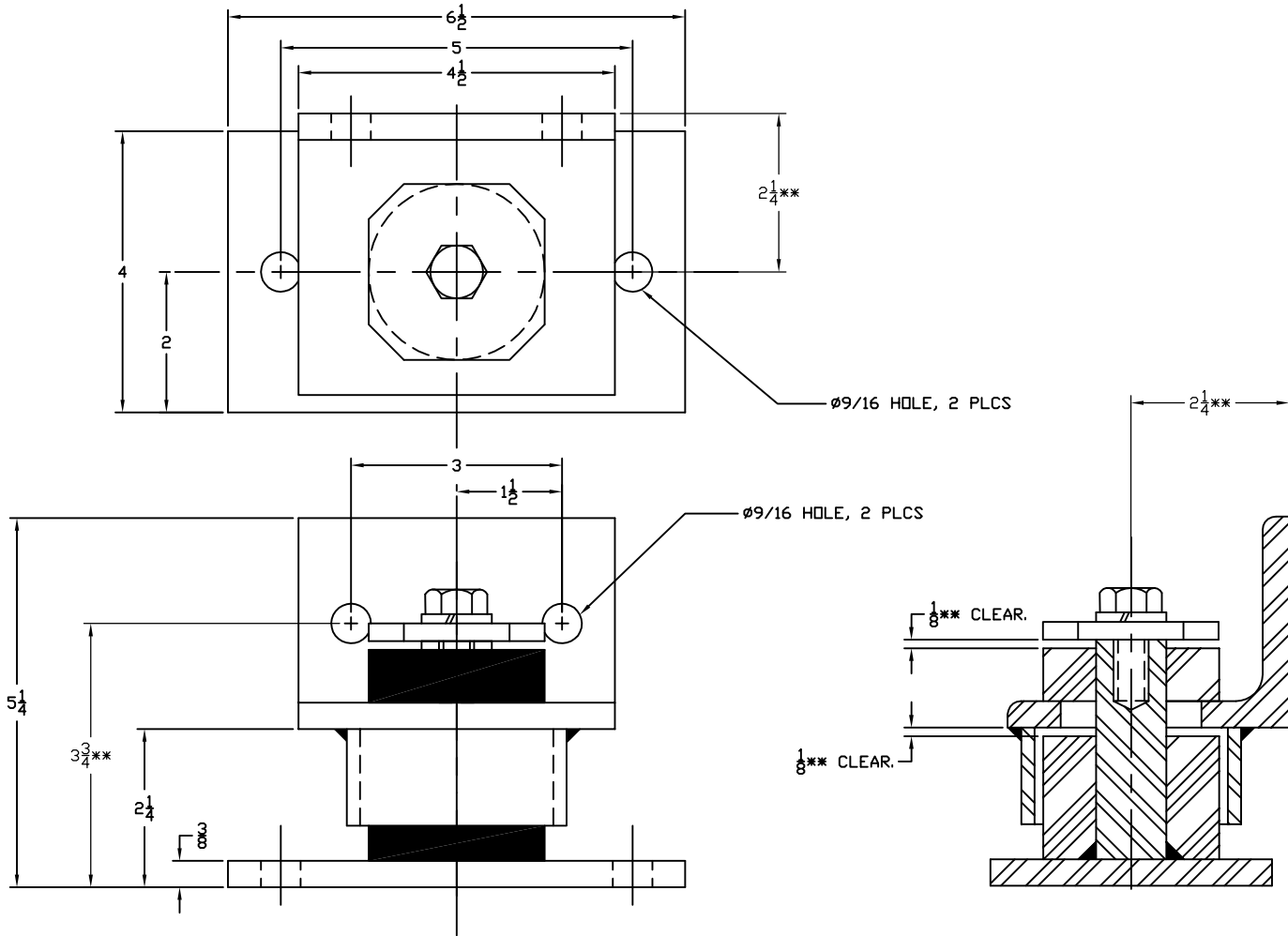


196R-103437 REV.: 4

REV.	DESCRIPTION	DATE	BY

PART NUMBER	DESCRIPTION
630551	AS SHOWN



**NOTES:**

- STANDARD FINISH:
  - HOUSING: PAINTED, GALVANIZED AVAILABLE ON SPECIAL ORDER
  - HARDWARE: ELECTRO ZINC PLATED
- ALL DIMENSIONS IN INCHES. INTERPRET PER ANSI Y14.
- ALL DIMENSIONS ARE FOR REFERENCE, DIMENSIONS SHOWN AS NOMINAL.
- DIMENSIONS MARKED WITH DOUBLE ASTERISKS (\*\*) MUST BE HELD TO  $\pm \frac{1}{32}$  AT INSTALLATION. SHIM OR GROUT AS NECESSARY
- APPROXIMATE UNIT WEIGHT: 8.2 LBS

OTHER MATERIALS, COMPOUNDS, OR FINISHES WITH EQUAL OR SUPERIOR PROPERTIES MAY BE SUBSTITUTED AS THEY BECOME AVAILABLE.

**CERTIFIED FOR:**

JOB NAME: \_\_\_\_\_  
 CUSTOMER : \_\_\_\_\_  
 CUSTOMER P.O.: \_\_\_\_\_  
 SALES ORDER: \_\_\_\_\_

**MODEL SR-750  
 SEISMIC SNUBBER RESTRAINT**



**THE VMC GROUP**  
 The Power of Together  
 Bloomingdale, NJ 07403  
 Houston, TX 77041

SCALE :  
 NONE  
 SHEET:  
 1 OF 1



DRAWING NO.: \_\_\_\_\_ REVISION