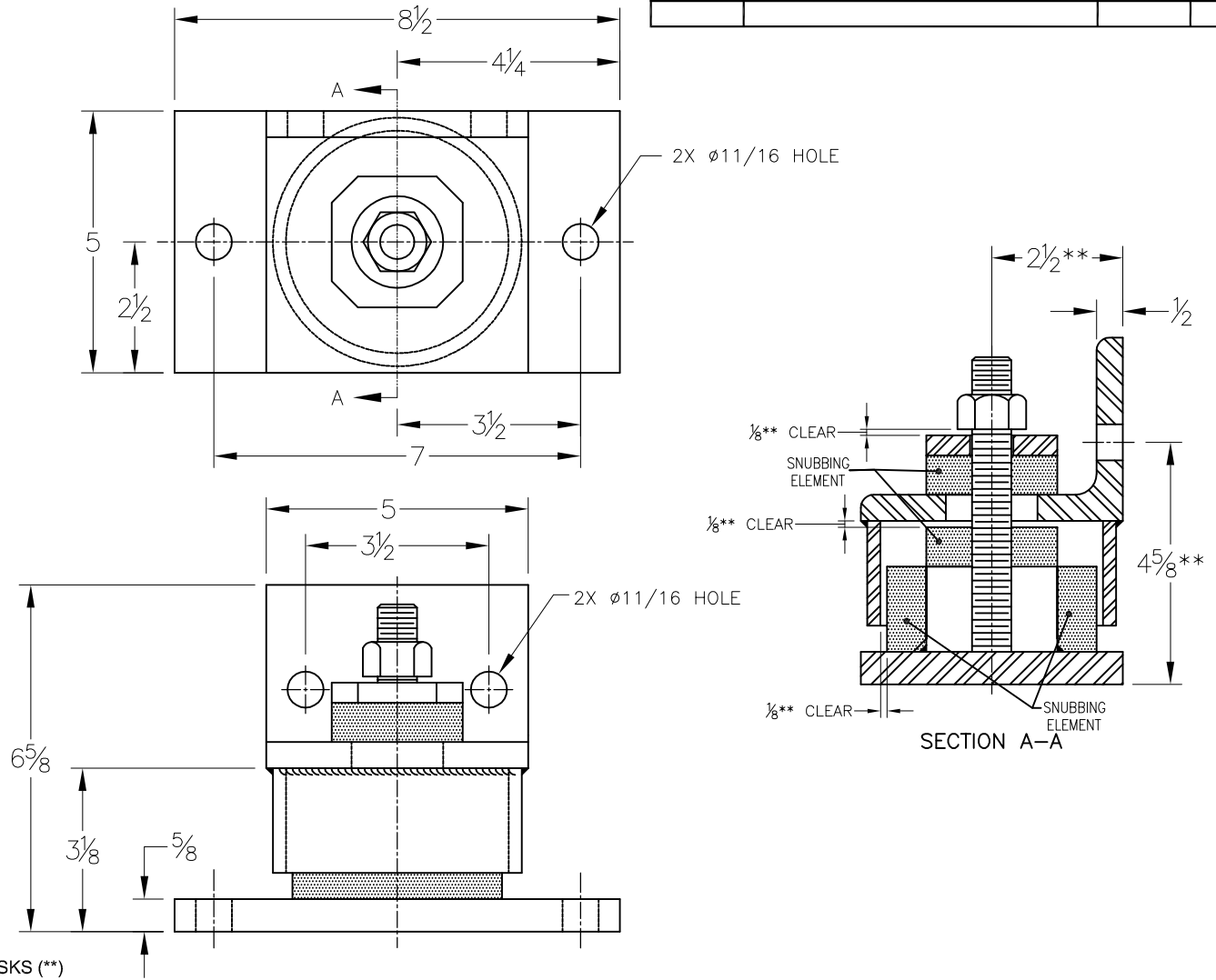


196R-103671 REV.: 4

PART NUMBER	DESCRIPTION
630578	AS SHOWN

REV.	DESCRIPTION	DATE	BY



- NOTES:**
- STANDARD FINISH:
    - A. HOUSING: PAINTED, GALVANIZED AVAILABLE ON SPECIAL ORDER
    - B. HARDWARE: ELECTRO ZINC PLATED
  - ALL DIMENSIONS IN INCHES. INTERPRET PER ANSI Y14.
  - ALL DIMENSIONS ARE FOR REFERENCE, DIMENSIONS SHOWN AS NOMINAL.
  - DIMENSIONS MARKED WITH DOUBLE ASTERISKS (\*\*) MUST BE HELD TO  $\pm \frac{1}{32}$  AT INSTALLATION. SHIM OR GROUT AS NECESSARY
  - APPROXIMATE UNIT WEIGHT: 38 LBS

OTHER MATERIALS, COMPOUNDS, OR FINISHES WITH EQUAL OR SUPERIOR PROPERTIES MAY BE SUBSTITUTED AS THEY BECOME AVAILABLE.

**CERTIFIED FOR:**

JOB NAME: \_\_\_\_\_  
 CUSTOMER : \_\_\_\_\_  
 CUSTOMER P.O.: \_\_\_\_\_  
 SALES ORDER: \_\_\_\_\_

**MODEL SR-2000  
 SEISMIC SNUBBER RESTRAINT**



**THE VMC GROUP**  
 The Power of Together  
 Bloomingdale, NJ 07403  
 Houston, TX 77041

SCALE :

NONE

SHEET:

1 OF 1



DRAWING NO.:

REVISION