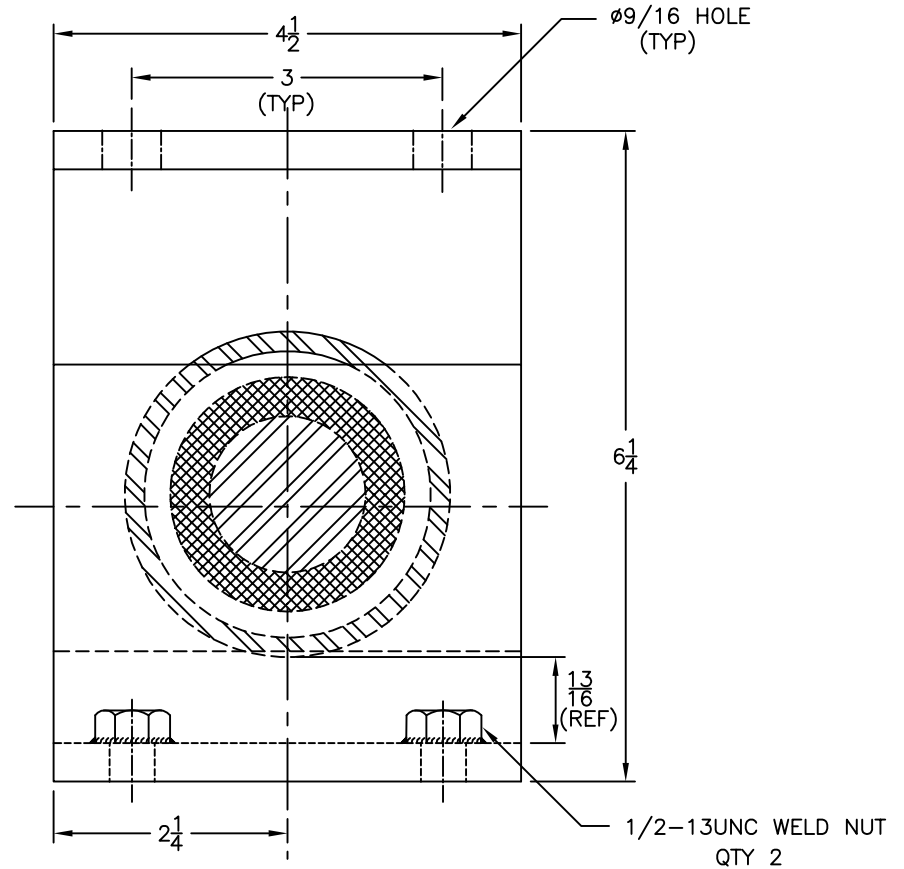
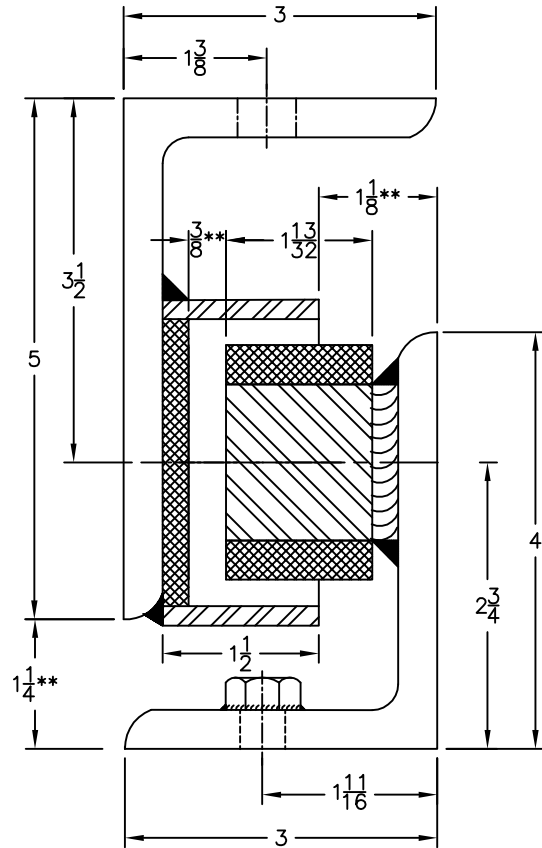


196R-103431 REV.: 4

REV.	DESCRIPTION	DATE	BY

PART NUMBER	DESCRIPTION
301070-1	AS SHOWN



NOTES:

- STANDARD FINISH:
 - HOUSING: PAINTED, GALVANIZED AVAILABLE ON SPECIAL ORDER
 - HARDWARE: ELECTRO ZINC PLATED
- ALL DIMENSIONS IN INCHES. INTERPRET PER ANSI Y14.
- ALL DIMENSIONS ARE FOR REFERENCE, DIMENSIONS SHOWN AS NOMINAL.
- FINISH: ONE (1) COAT WATER REDUCIBLE GRAY PAINT
- DIMENSIONS MARKED WITH DOUBLE ASTERISKS (**) MUST BE HELD TO $\pm\frac{1}{32}$ AT INSTALLATION. SHIM OR GROUT AS NECESSARY

OTHER MATERIALS, COMPOUNDS, OR FINISHES WITH EQUAL OR SUPERIOR PROPERTIES MAY BE SUBSTITUTED AS THEY BECOME AVAILABLE.

CERTIFIED FOR:

JOB NAME: _____
 CUSTOMER : _____
 CUSTOMER P.O.: _____
 SALES ORDER: _____

**MODEL SR2
 SEISMIC SNUBBER RESTRAINT**



THE VMC GROUP
 The Power of Together
 Bloomingdale, NJ 07403
 Houston, TX 77041

SCALE:

NONE

SHEET:

1 OF 1



DRAWING NO.:

REVISION