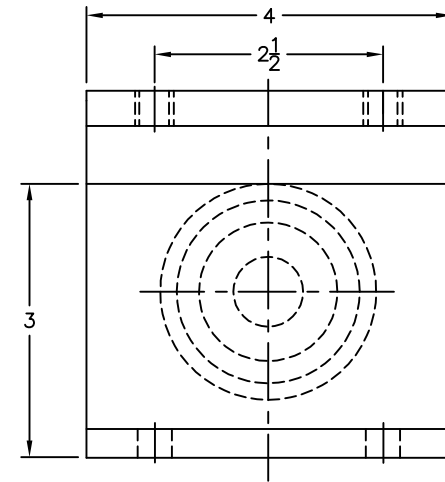
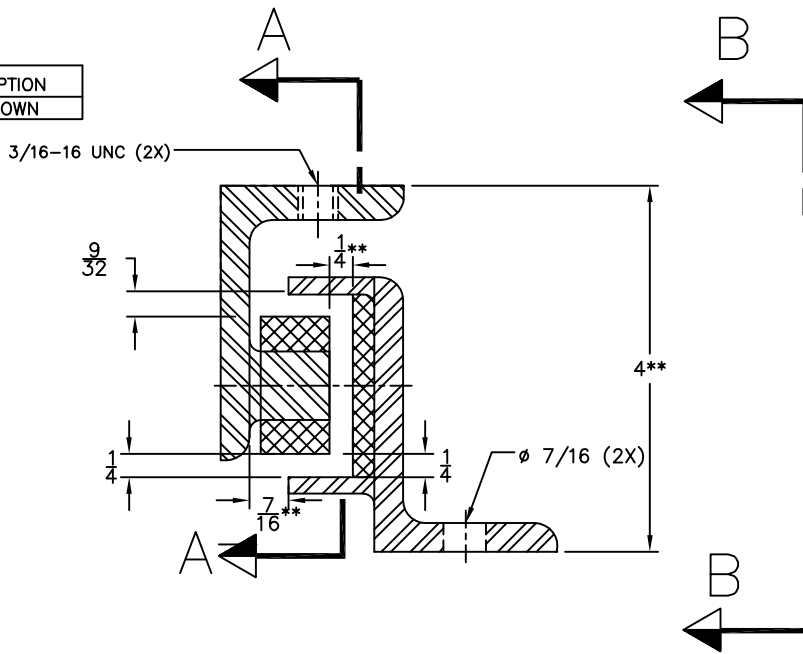


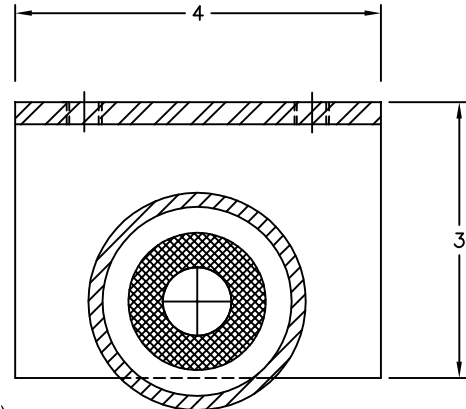
196R-103429 REV.: 5

REV.	DESCRIPTION	DATE	BY

PART NUMBER	DESCRIPTION
301069-1	AS SHOWN



VIEW B-B



SECTION A-A

- NOTES:**
- STANDARD FINISH:  
HOUSING: PAINTED, GALVANIZED  
AVAILABLE ON SPECIAL ORDER
  - ALL DIMENSIONS IN INCHES.  
INTERPRET PER ANSI Y14.
  - ALL DIMENSIONS ARE FOR REFERENCE,  
DIMENSIONS SHOWN AS NOMINAL.
  - DIMENSIONS MARKED WITH DOUBLE ASTERISKS (\*\*)  
MUST BE HELD TO  $\pm \frac{1}{32}$  AT INSTALLATION.  
SHIM OR GROUT AS NECESSARY

OTHER MATERIALS, COMPOUNDS, OR FINISHES WITH EQUAL OR SUPERIOR PROPERTIES MAY BE SUBSTITUTED AS THEY BECOME AVAILABLE.

**CERTIFIED FOR:**

JOB NAME: \_\_\_\_\_

CUSTOMER : \_\_\_\_\_

CUSTOMER P.O.: \_\_\_\_\_

SALES ORDER: \_\_\_\_\_

**MODEL SR1  
SEISMIC SNUBBER RESTRAINT**

**THE VMC GROUP**  
The Power of Together  
Bloomington, NJ 07403  
Houston, TX 77041

SCALE:	NONE	
SHEET:	1 OF 1	
DRAWING NO.:		REVISION