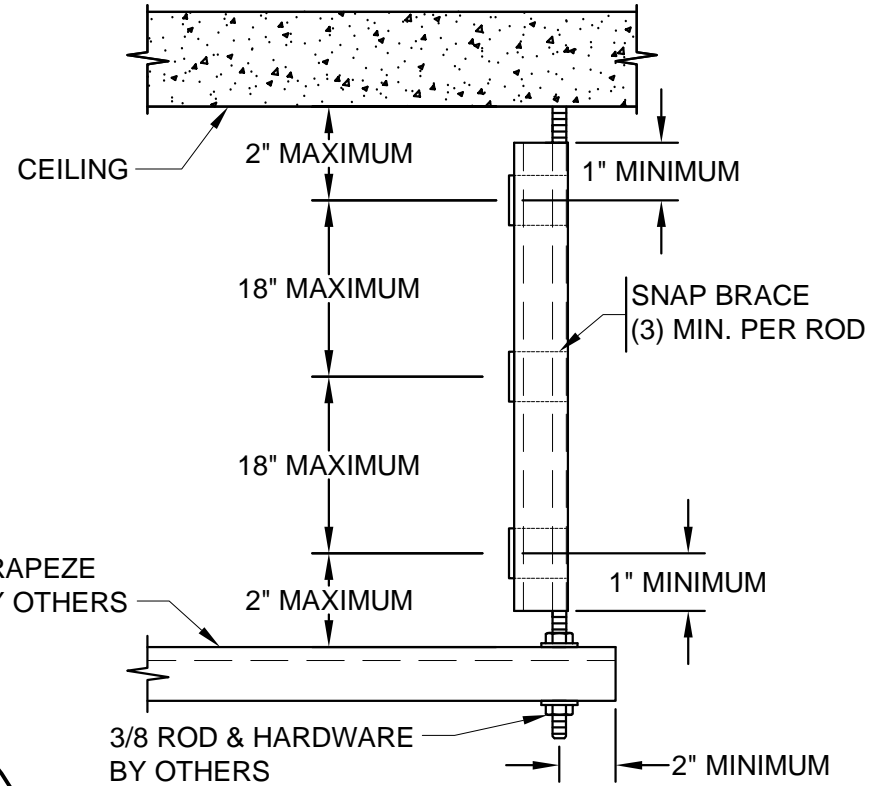
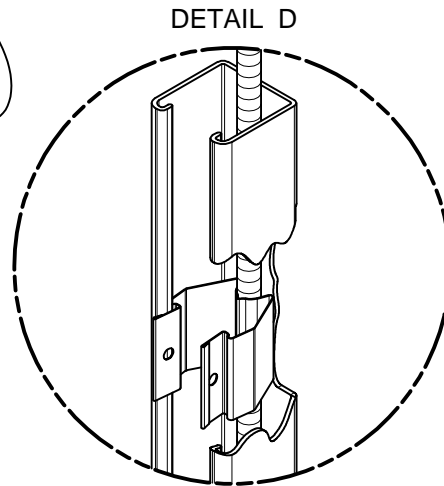
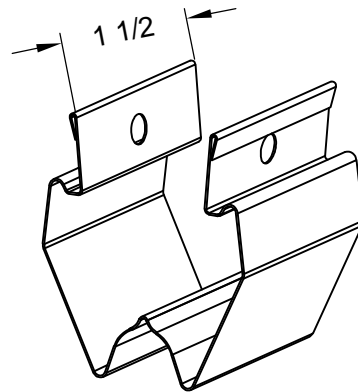
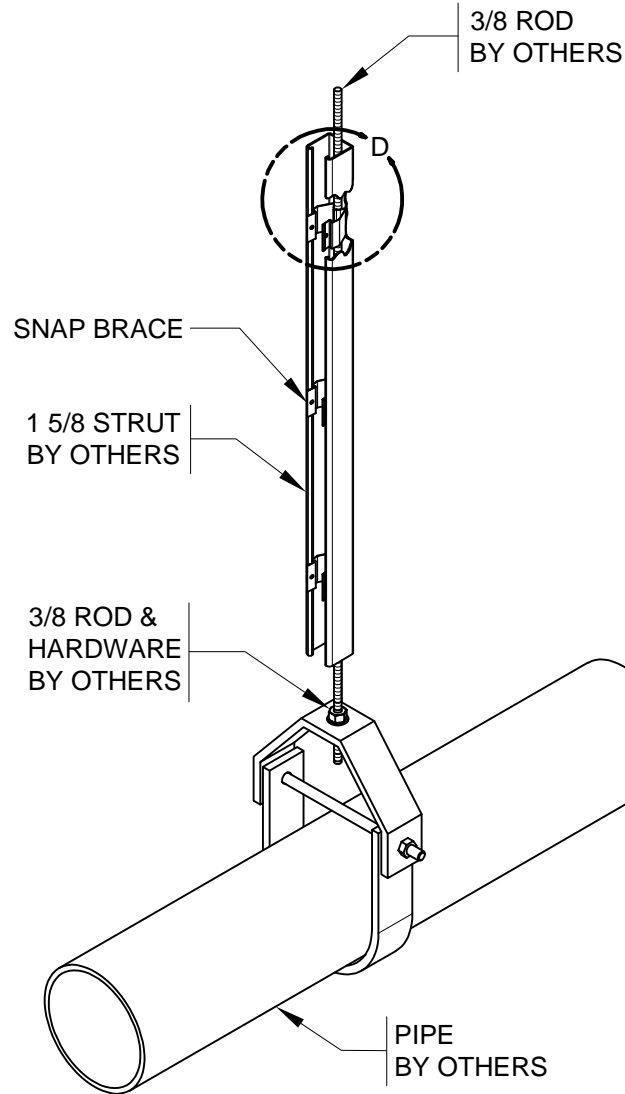


REV.	DESCRIPTION	DATE	BY



NOTES:

1. MATERIAL: LIGHT GAGE STAINLESS STEEL YELLOW FINISH
2. ALL DIMENSIONS ARE IN INCHES
3. NO TOOLS REQUIRED FOR INSTALLATION
4. MINIMUM (3) SNAP BRACE CLIPS PER ROD

OTHER MATERIALS, COMPOUNDS, OR FINISHES WITH EQUAL OR SUPERIOR PROPERTIES MAY BE SUBSTITUTED AS THEY BECOME AVAILABLE.

CERTIFIED FOR:


JOB NAME: _____

CUSTOMER: _____

CUSTOMER P.O.: _____

SALES ORDER: _____

**MODEL RSC-SNB-375
SNAP-BRACE
3/8" ROD STIFFENER**



VMC GROUP
THE POWER OF TOGETHER™
Bloomingdale, NJ 07403
Houston, TX 77041

SCALE:	NONE	Member VISCMA
SHEET:		
DRAWING NO.:		REVISION