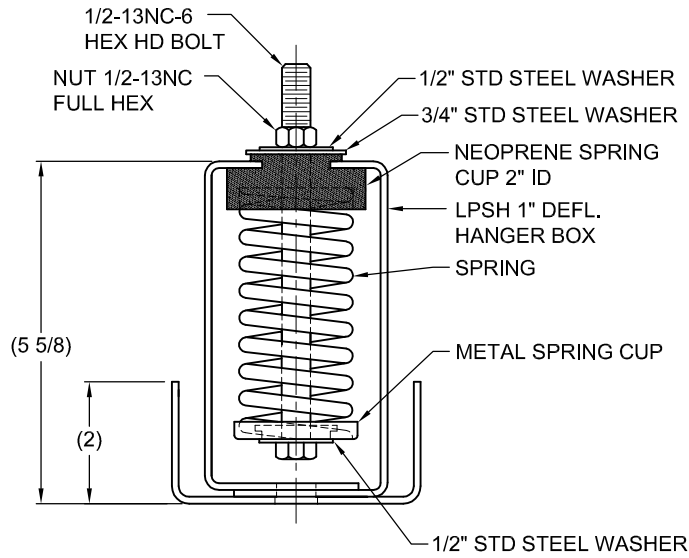
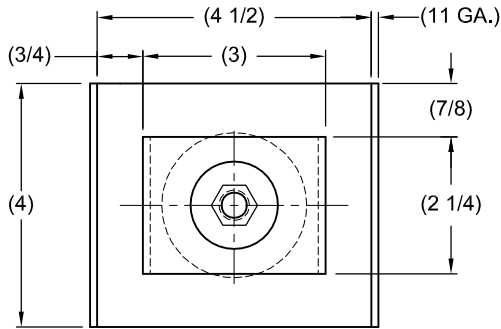


REV.	DESCRIPTION	DATE	BY



TYPE LPSH-2Q SPRING HANGERS FOR 2" NOMINAL DEFLECTION				
HANGER	RATED LOAD (LBS)	DEFLECTION (IN)	SPRING RATE (LB/IN)	SPRING COLOR CODE
LPSH-2Q-70-0DD ¹	70	1.56	45	DK. BLUE
LPSH-2Q-110-0DD ¹	110	1.83	60	BLACK
LPSH-2Q-195-0DD ¹	195	1.57	125	DK. GREEN
LPSH-2Q-340-0DD ¹	340	1.51	225	YELLOW

NOTE:
1. PART NUMBER IS SHOWN FOR -0DD OPTION. SEE SHEETS 2 & 3 FOR OPTIONS AND ACCESSORIES

- NOTES:**
- HANGER RODS, NUTS AND WASHERS, AS SHOWN, NOT BY THE VMC GROUP.
 - STANDARD FINISH: HANGER BOX - PAINTED, POWDER COATED OR GALVANIZED STEEL , SPRING - POWDER COAT.
 - ALL DIMENSIONS IN INCHES. INTERPRET PER ANSI Y14.
 - ALL DIMENSIONS ARE FOR REFERENCE, DIMENSIONS SHOWN AS NOMINAL.
 - ALL SPRINGS ARE DESIGNED WITH MINIMUM 50% OVER-TRAVEL.
 - HANGER BOXES ARE AVAILABLE PRE-COMPRESSED UP TO THEIR DESIGNATED MAX. LOAD. PERCENTAGE OF PRE-COMPRESSION TO BE DETERMINED BY ENGINEERED APPLICATION OR AS REQUESTED BY CUSTOMER. CONSULT FACTORY FOR POSSIBLE ADDITIONAL PARAMETERS AND OR LIMITATIONS.
 - RATED DEFLECTIONS ARE WITHIN 25% OF NOMINAL. HIGHER DEFLECTIONS ARE ALLOWED IF THEY MEET SPECIFICATIONS.

OTHER MATERIALS, COMPOUNDS, OR FINISHES WITH EQUAL OR SUPERIOR PROPERTIES MAY BE SUBSTITUTED AS THEY BECOME AVAILABLE.

CERTIFIED FOR:

JOB NAME: _____

CUSTOMER : _____

CUSTOMER P.O.: _____

SALES ORDER: _____

MODEL LPSH 70-340 LBS.
LOW PROFILE SPRING ISOLATOR
2 INCH DEFLECTION

THE VMC GROUP
The Power of Together
Bloomingdale, NJ 07403
Houston, TX 77041

SCALE :
NONE

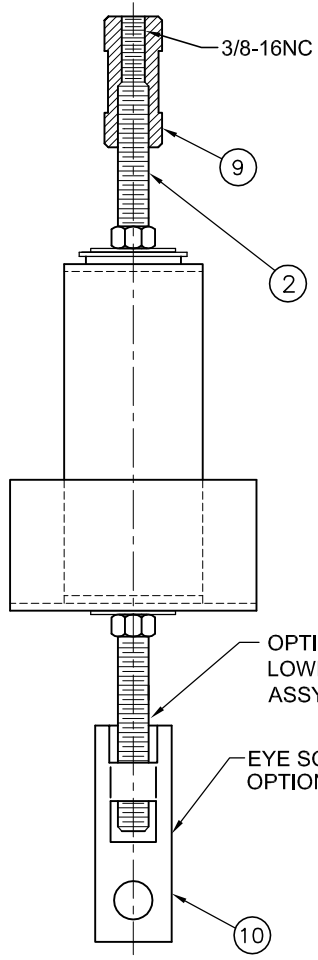
SHEET:
1 OF 3

DRAWING NO.: _____

REVISION _____

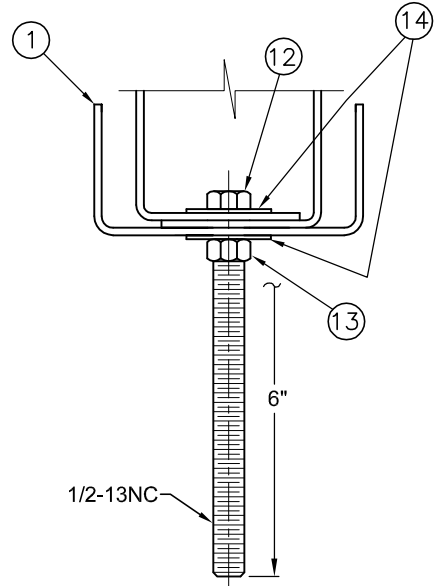
Member
VISCMA

REV.	DESCRIPTION	DATE	BY

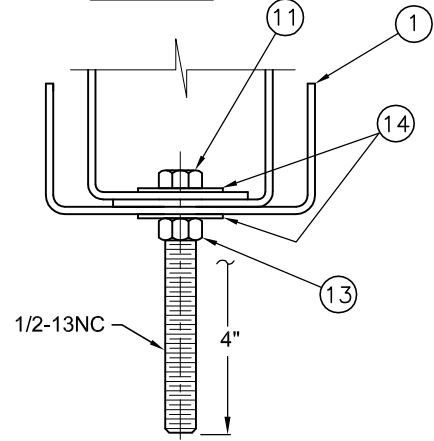


GEN. ASSY.

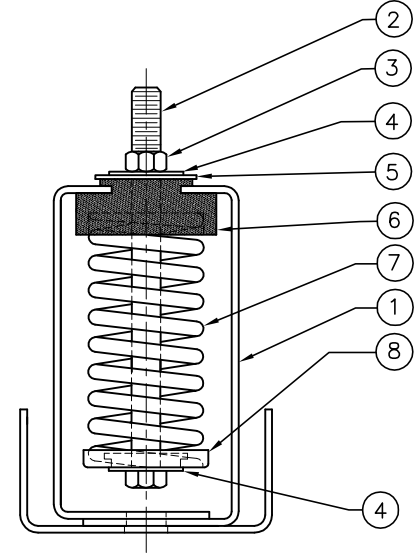
OPTIONAL LOWER BOLT ASSY
EYE SOCKET OPTIONAL



6" Long Bolt Lower Assy Option



4" Long Bolt Lower Assy Option



BASIC HANGER ASSY.

NOTE:
1. SEE SHEET 3 FOR OPTIONS/ACCESSORIES BOM.

OTHER MATERIALS, COMPOUNDS, OR FINISHES WITH EQUAL OR SUPERIOR PROPERTIES MAY BE SUBSTITUTED AS THEY BECOME AVAILABLE.

CERTIFIED FOR:
 JOB NAME: _____
 CUSTOMER: _____
 CUSTOMER P.O.: _____
 SALES ORDER: _____

**MODEL LPSH 70-340 LBS.
 LOW PROFILE SPRING ISOLATOR
 2 INCH DEFLECTION**

THE VMC GROUP
The Power of Together
 Bloomingdale, NJ 07403
 Houston, TX 77041

SCALE: NONE	
SHEET: 2 OF 3	
DRAWING NO.:	REVISION

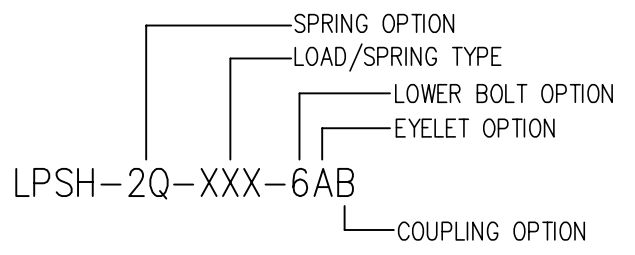
REV.	DESCRIPTION	DATE	BY
------	-------------	------	----

2	2							14	141026	WSHR, FLAT 9/16 X 1 3/8 X 1/16 ,(LOWER) (1/2" STD.STL)
1	1							13	141585	NUT, FULL HEX. 1/2"-13 NC-2B , (LOWER)
1								12	141151	BOLT, HEX. HD. 1/2-13NC X 6" LG. FULL THRD., (LOWER)
	1							11	141119	BOLT, HEX. HD. 1/2-13NC X 4" LG. FULL THRD.,(LOWER)
		1	1	2				10	141561-1	EYELET SOCKET, STRAIGHT
					1	1	2	9	141562-1	COUPLING,REDUCER,ROD 1/2" - 3/8"
6	4	0	A	B	C	D	A	B	C	D
LOWER BOLT OPTION	EYELET OPTION		COUPLING OPTION		ITEM #	PART/ DWG. #	DESCRIPTION			

OPTIONS / ACCESSORIES B.O.M.

(IN ADDITION TO TABLE 1 ASSEMBLY)

8	SPRING CUP W/ 1-1/4 HOLE	1
7	(SPRING) AS REQUIRED PER ORDER	1
6	SPG. CUP, 2 1/16" W/ 25/32" HOLE	1
5	WSHR. FLAT 3/4 X 2 X 3/16	2
4	WSHR, FLAT 9/16 X 1 3/8 X 1/16, (LOWER) (1/2" STD.STL)	1
3	NUT, FULL HEX 1/2-13NC	1
2	BOLT HEX HD. 1/2-13NC-6	1
1	LPSH 1" DEFL. HANGER BOX	1
ITEM #	DESCRIPTION	QTY.



PART NUMBER EXAMPLE

SPRING OPTION	LOWER BOLT OPTION	EYELET OPTION	COUPLING OPTION
LPSH - 2Q-70 = 70# 2Q-110 = 110# 2Q-195 = 195# 2Q-340 = 340#	0=NO BOLT 4=4"LONG 6=6" BOLT	A=TOP ONLY B=BOTTOM ONLY C=TOP & BOTTOM D=NONE	A=TOP ONLY B=BOTTOM ONLY C=TOP & BOTTOM D=NONE

TABLE 1-BASIC HANGER ASSY BOM

COMPLETE ASSY. REQ'D. WITH OR WITHOUT OPTIONS

PRODUCT NUMBERING SUFFIX

OTHER MATERIALS, COMPOUNDS, OR FINISHES WITH EQUAL OR SUPERIOR PROPERTIES MAY BE SUBSTITUTED AS THEY BECOME AVAILABLE.

CERTIFIED FOR:

JOB NAME: _____

CUSTOMER: _____

CUSTOMER P.O.: _____

SALES ORDER: _____

**MODEL LPSH 70-340 LBS.
LOW PROFILE SPRING ISOLATOR
2 INCH DEFLECTION**



SCALE:	NONE	
SHEET:	3 OF 3	
DRAWING NO.:		REVISION