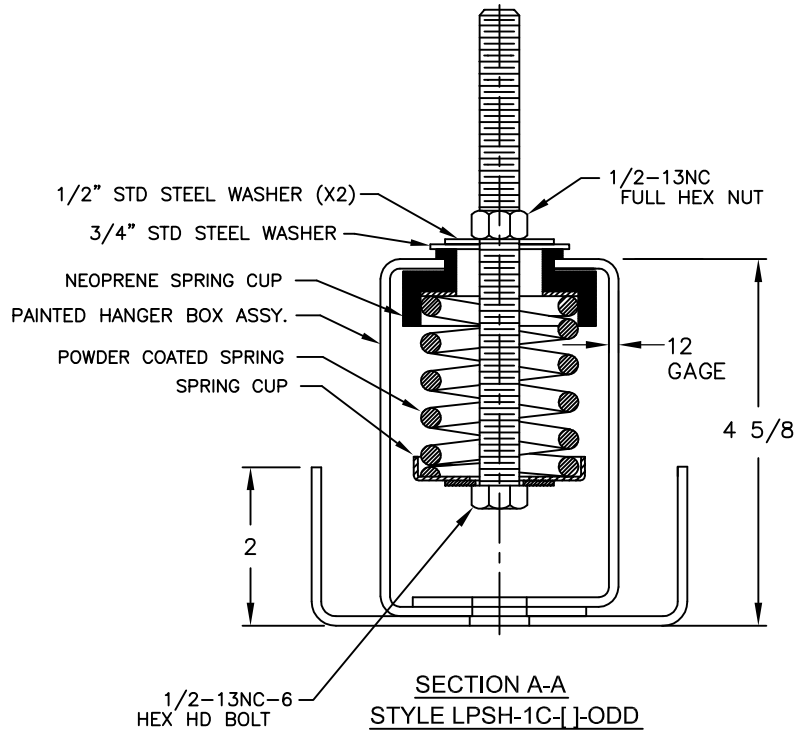
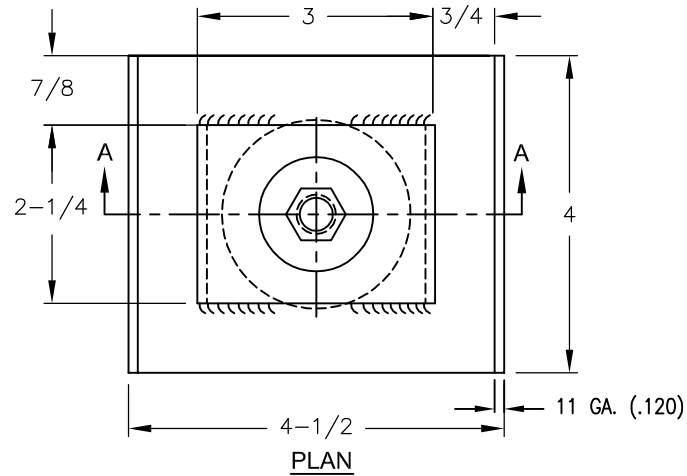


REV.	DESCRIPTION	DATE	BY



MODEL DESIGNATION	MAX LOAD (LBS)	DEFL (INS)	COLOR CODE
LPSH-1C-50-ODD	50	1.0	BLUE
LPSH-1C-100-ODD	100	1.0	TAN
LPSH-1C-150-ODD	150	1.0	RED
LPSH-1C-250-ODD	250	.83	BLACK
LPSH-1C-370-ODD	370	.75	DK.YELLOW

NOTE: -ODD ILLUSTRATION SHOWN (SEE NOTE 3)



NOTES:

1. ALL DIMENSIONS IN INCHES, INTERPRET PER ANSI Y14
2. ALL HARDWARE ZINC COATED.
3. SEE SHEET 3 FOR ADDITIONAL PART NUMBERS, OPTIONS AND ACCESSORIES.
4. RATED DEFLECTIONS ARE WITHIN 25% OF NOMINAL. HIGHER DEFLECTIONS ARE ALLOWED IF THEY MEET SPECIFICATIONS

OTHER MATERIALS, COMPOUNDS, OR FINISHES WITH EQUAL OR SUPERIOR PROPERTIES MAY BE SUBSTITUTED AS THEY BECOME AVAILABLE.

CERTIFIED FOR:

JOB NAME: _____
 CUSTOMER : _____
 CUSTOMER P.O.: _____
 SALES ORDER: _____

**MODEL LPSH 50-370 LBS.
 LOW SPRING HANGER ISOLATOR
 1 INCH DEFLECTION**



THE VMC GROUP
The Power of Together
 Bloomingdale, NJ 07403
 Houston, TX 77041

SCALE:

NONE

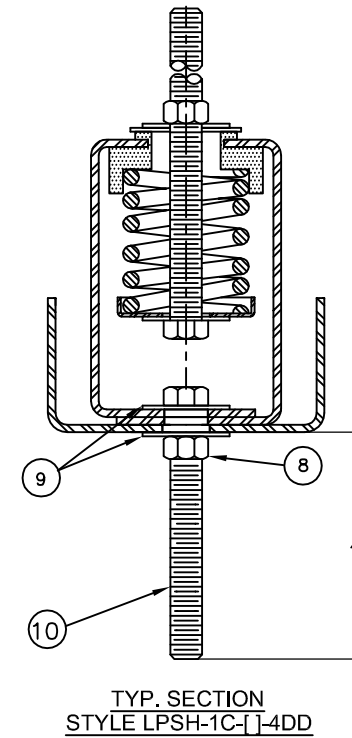
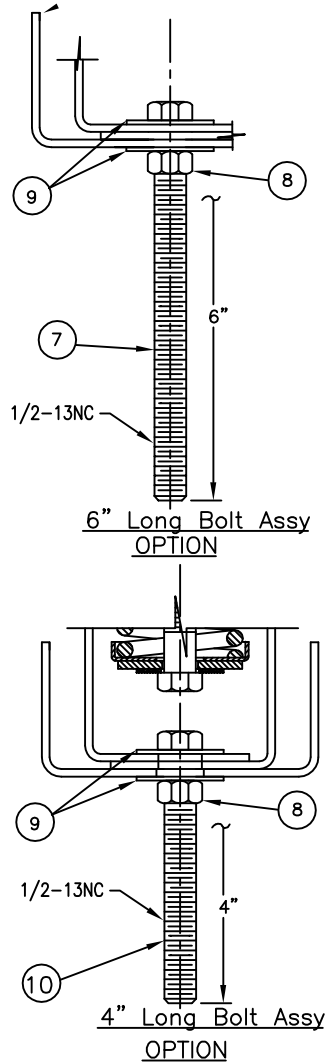
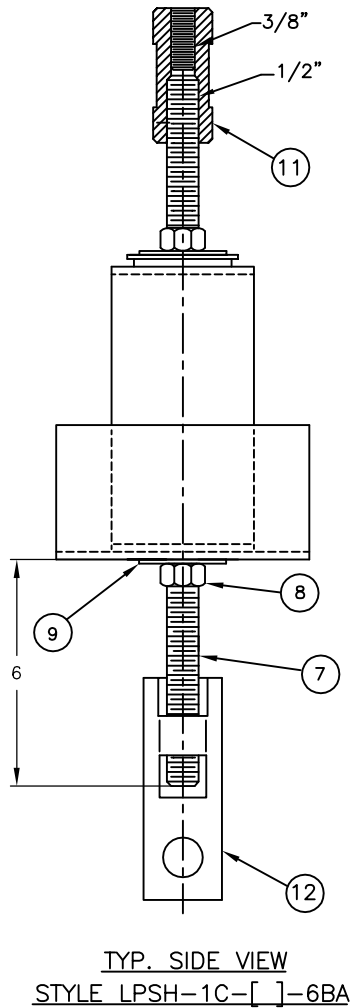
SHEET:



DRAWING NO.:

REVISION

REV.	DESCRIPTION	DATE	BY



NOTE:
SEE SHEET 3 FOR ADDITIONAL PART NUMBERS,
OPTIONS AND ACCESSORIES.

OTHER MATERIALS, COMPOUNDS, OR FINISHES WITH EQUAL OR SUPERIOR
PROPERTIES MAY BE SUBSTITUTED AS THEY BECOME AVAILABLE.

CERTIFIED FOR:

JOB NAME: _____
 CUSTOMER : _____
 CUSTOMER P.O.: _____
 SALES ORDER: _____

**MODEL LPSH 50-370 LBS.
 LOW SPRING HANGER ISOLATOR
 1 INCH DEFLECTION**



THE VMC GROUP
The Power of Together
 Bloomingdale, NJ 07403
 Houston, TX 77041

SCALE :

NONE

SHEET:

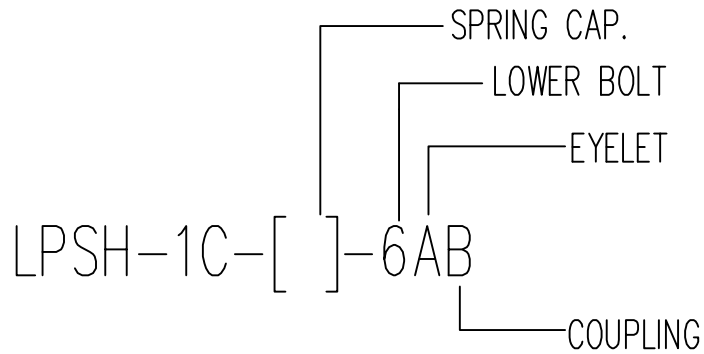


DRAWING NO.:

REVISION

REV.	DESCRIPTION	DATE	BY

PART NUMBER EXAMPLE



			1	1	2					12	141561-1	EYELET SOCKET, STRAIGHT	
								1	1	2	11	141562-1	COUPLING,REDUCER, ROD 1/2 - 3/8
	1										10	141119	BOLT, HEX. HD. 1/2-13NC X 4 LG. FULL THRD.,(LOWER)
2	2										9	141026	WSHR, FLAT 9/16 X 1 3/8 X 1/16, (LOWER) (1/2" STD.STL)
	1	1									8	141585	NUT, FULL HEX. 1/2-13 NC-2B, (LOWER)
	1										7	141151	BOLT, HEX. HD. 1/2-13NC X 6 LG. FULL THRD., (LOWER)
6	4	0	A	B	C	D	A	B	C	D			
LOWER BOLT OPTION		EYELET OPTION		COUPLING OPTION		ITEM #		PART/DWG. #		DESCRIPTION			

OPTIONS / ACCESSORIES B.O.M.
(IN ADDITION TO TABLE 1 ASSEMBLY)

PRODUCT NUMBER SUFFIX

LPSH



SPRING OPTION	COLOR CODE
1C-50=50LBS.	BLUE
1C-100=100LBS.	TAN
1C-150=150LBS.	RED
1C-250=250LBS.	BLACK
1C-370=370LBS.	YELLOW

LOWER BOLT OPTION
O=NO BOLT
4=4"
6=6"

EYELET OPTION
A=TOP ONLY
B=BOTTOM ONLY
C=TOP&BOTTOM
D=NONE

COUPLING OPTION
A=TOP ONLY
B=BOTTOM ONLY
C=TOP&BOTTOM
D=NONE

OTHER MATERIALS, COMPOUNDS, OR FINISHES WITH EQUAL OR SUPERIOR PROPERTIES MAY BE SUBSTITUTED AS THEY BECOME AVAILABLE.

CERTIFIED FOR: JOB NAME: _____ CUSTOMER : _____ CUSTOMER P.O.: _____ SALES ORDER: _____	MODEL LPSH 50-370 LBS. LOW SPRING HANGER ISOLATOR 1 INCH DEFLECTION	 THE VMC GROUP <i>The Power of Together</i> Bloomingdale, NJ 07403 Houston, TX 77041	SCALE : NONE	Member 	
			SHEET:		DRAWING NO.: _____ REVISION _____