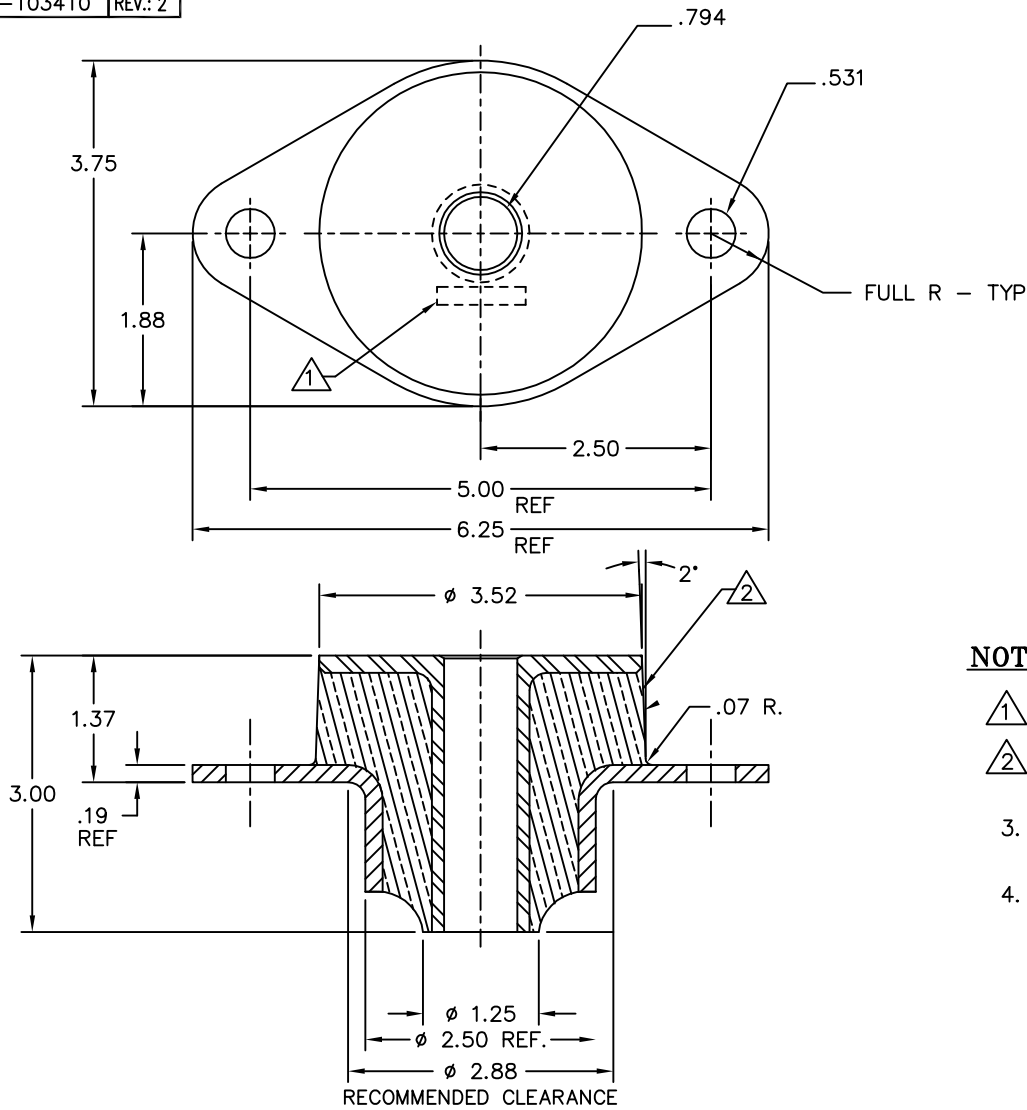


103R-103410 REV.: 2

REV.	DESCRIPTION	DATE	BY



MODEL LF3 SNUBBED ELASTOMERIC ISOLATOR				
PART NO.	MODEL NUMBER	DUROMETER	COLOR	COMPOUND
770004-4	LF3-1500	64	BLUE	NEOPRENE
770004-3	LF3-1200	56	YELLOW	NEOPRENE
770059-2	LF3-900	52	GREEN	NEOPRENE
770059-1	LF3-700	44	RED	NEOPRENE

NOTES:

1. INK STAMP MODEL NUMBER CODE IN TABLE 1.
2. APPLY DOT OF COLOR TO SURFACE INDICATED PER COLOR PER LATEST REVISION OF COMPOUND MASTER SHEET.
3. PERFORM MATERIAL TESTS ON EACH BATCH OF COMPOUND
4. MAXIMUM FLASH EXTENSION .063.

OTHER MATERIALS, COMPOUNDS, OR FINISHES WITH EQUAL OR SUPERIOR PROPERTIES MAY BE SUBSTITUTED AS THEY BECOME AVAILABLE.

CERTIFIED FOR:

JOB NAME: _____
 CUSTOMER : _____
 CUSTOMER P.O.: _____
 SALES ORDER: _____

**MODEL LF3 700-1500 LBS.
 SNUBBED ELASTOMERIC ISOLATOR**



THE VMC GROUP
The Power of Together
 Bloomingdale, NJ 07403
 Houston, TX 77041

SCALE :
 NONE

SHEET:



DRAWING NO.:

REVISION