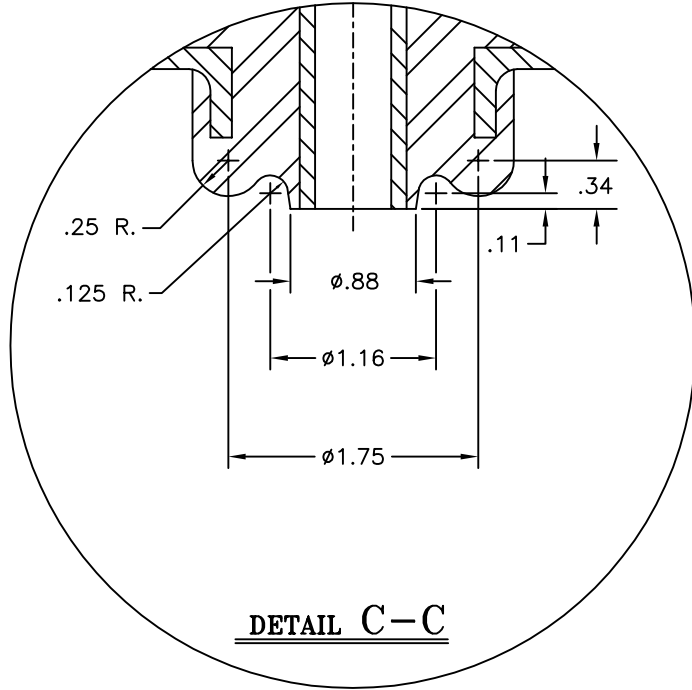


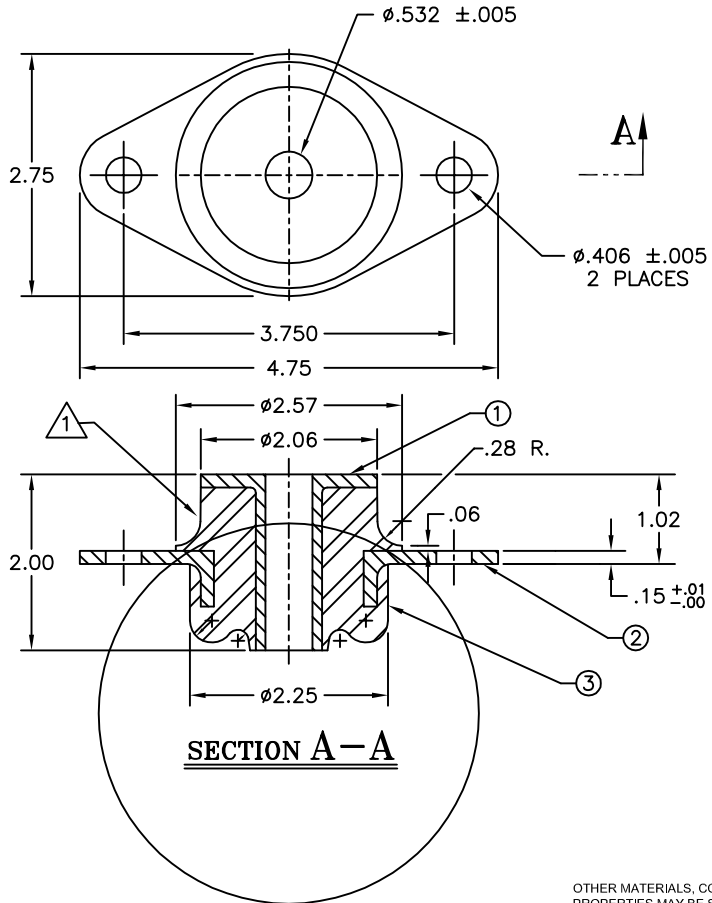
103R-103408 REV.: 2

REV.	DESCRIPTION	DATE	BY

PART NO.	MODEL NO.	COMPOUND	DUROMETER	COLOR CODE
770041-1	LF1.5-270	RC014	48 ± 4	PURPLE
770041-2	LF1.5-350	RC015	52 ± 4	YELLOW
770041-3	LF1.5-450	RC016	56 ± 4	GREEN
770041-4	LF1.5-570	RC017	60 ± 4	RED
770041-5	LF1.5-200	RC012	40 ± 5	RED/BLUE



DETAIL C-C



SECTION A-A

C-C

OTHER MATERIALS, COMPOUNDS, OR FINISHES WITH EQUAL OR SUPERIOR PROPERTIES MAY BE SUBSTITUTED AS THEY BECOME AVAILABLE.

NOTES:

① INK STAMP MODEL NUMBER WITH .12 HIGH CHARACTERS IN APPROXIMATE LOCATION SHOWN.

ITEM NO.	QTY.	PART NUMBER	DESCRIPTION	REMARKS
3	A/R		ELASTOMER	SEE TABLE
2	1	771029-1	CENTERPLATE - LF1.5	
1	1	771028-2	CORE - LF1.5	

LIST OF MATERIALS

CERTIFIED FOR:

JOB NAME: _____
 CUSTOMER: _____
 CUSTOMER P.O.: _____
 SALES ORDER: _____

**MODEL LF1.5 200-570 LBS.
 SNUBBED ELASTOMERIC ISOLATOR**



THE VMC GROUP
The Power of Together
 Bloomingdale, NJ 07403
 Houston, TX 77041

SCALE:

NONE

SHEET:



DRAWING NO.:

REVISION