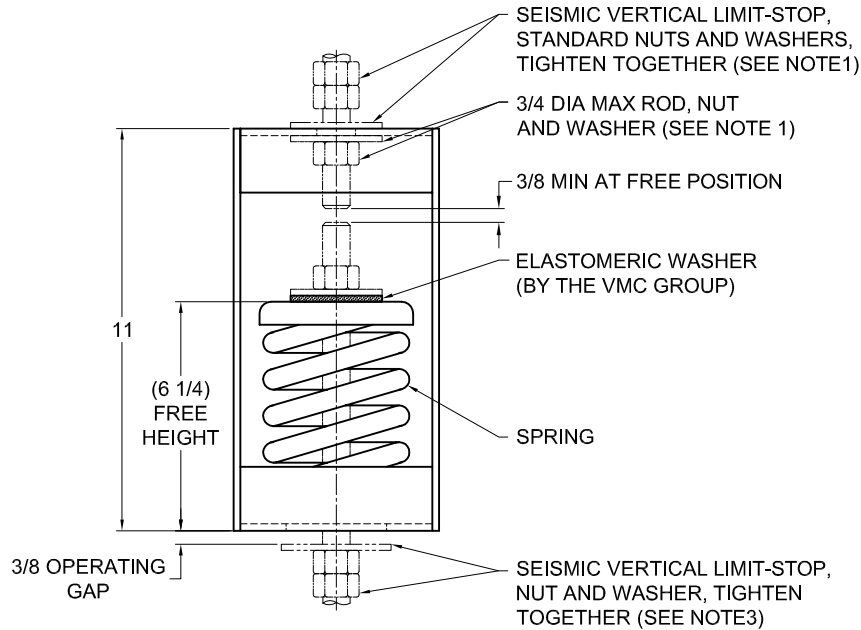
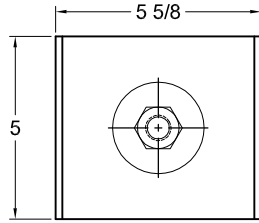


135R-103824 REV.: 2

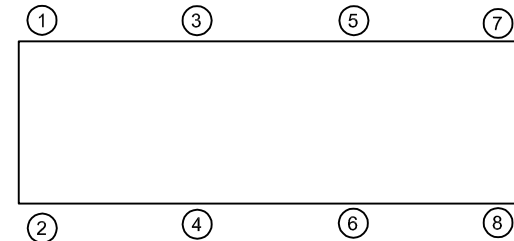
| REV. | DESCRIPTION | DATE | BY |
|------|-------------|------|----|
| | | | |



| TYPE HS-3C PRE-COMPRESSED SPRING HANGERS FOR 3" NOMINAL DEFLECTION | | | | |
|---|------------------|-----------------|---------------------|-------------------|
| HANGER | RATED LOAD (LBS) | DEFLECTION (IN) | SPRING RATE (LB/IN) | SPRING COLOR CODE |
| HS-3C-75PR | 75 | 3.00 | 25 | WHITE |
| HS-3C-145PR | 145 | 2.90 | 50 | LT PURPLE |
| HS-3C-215PR | 215 | 2.59 | 83 | LT BROWN |
| HS-3C-315PR | 315 | 2.37 | 133 | ORANGE |
| HS-3C-470PR | 470 | 2.35 | 200 | DK BROWN |
| HS-3C-600PR | 600 | 2.25 | 267 | DK PURPLE |
| HS-3C-860N ¹ PR | 860 | 2.25 | 383 | ORANGE/RED |
| HS-3C-1055N ¹ PR | 1055 | 2.34 | 450 | DK BROWN/RED |
| HS-3C-1165N ¹ PR | 1165 | 2.25 | 517 | DK PURPLE/RED |

NOTES:

1. TWO NESTED SPRINGS YIELD THIS LOAD. THE COLOR CODE INDICATED IS FOR OUTER SPRING/



NOTES:

- HANGER RODS, NUTS AND WASHERS, AS SHOWN, NOT BY THE VMC GROUP. INSTALL WASHER .16 THK. MIN. X 2-7/8 O.D. MIN WITH REQUIRED INSIDE DIAMETER TO ACCOMMODATE ROD SIZE IN USE. THIS CAN BE ACCOMPLISHED BY USING A SINGLE WASHER OR BY STACKING NOT MORE THAN TWO WASHERS.
- STANDARD FINISH: HANGER BOX - PAINTED, POWDER COATED OR GALVANIZED STEEL, SPRING - POWDER COAT.
- SEISMIC VERTICAL LIMIT-STOP REQUIRED FOR SEISMIC APPLICATIONS.
- ALL DIMENSIONS IN INCHES. INTERPRET PER ANSI Y14.
- ALL DIMENSIONS ARE FOR REFERENCE, DIMENSIONS SHOWN AS NOMINAL.
- ALL SPRINGS ARE DESIGNED WITH MINIMUM 50% OVER-TRAVEL.
- HANGER BOXES ARE AVAILABLE PRE-COMPRESSED UP TO THEIR DESIGNATED MAX. LOAD. PERCENTAGE OF PRE-COMPRESSION TO BE DETERMINED BY ENGINEERED APPLICATION OR AS REQUESTED BY CUSTOMER. CONSULT FACTORY FOR POSSIBLE ADDITIONAL PARAMETERS AND OR LIMITATIONS.
- DOUBLE LOWER NUT PROVIDED.
- ROD EXTENSION BELOW LOWER NUT EXTENDS (1.5XROD DIA.) AS SHIPPED.
- PRE-COMPRESSED 50% OF SPRING RATED DEFLECTION.
- RATED DEFLECTIONS ARE WITHIN 25% OF NOMINAL. HIGHER DEFLECTIONS ARE ALLOWED IF THEY MEET SPECIFICATIONS.

ISOLATOR SELECTIONS

| | |
|---------------------|--------|
| LOC 1: | LOC 2: |
| LOC 3: | LOC 4: |
| LOC 5: | LOC 6: |
| LOC 7: | LOC 8: |
| CUSTOMER EQPT. TAG: | |

NOTE: MATERIAL SHOWN IS FOR (1) SET.

OTHER MATERIALS, COMPOUNDS, OR FINISHES WITH EQUAL OR SUPERIOR PROPERTIES MAY BE SUBSTITUTED AS THEY BECOME AVAILABLE.

CERTIFIED FOR:

JOB NAME: _____
 CUSTOMER : _____
 CUSTOMER P.O.: _____
 SALES ORDER: _____

**MODEL HS-3C 75-1165 LBS.
 PRE-COMPRESSED SPRING HANGERS
 3 INCH DEFLECTION**



THE VMC GROUP
The Power of Together
 Bloomingdale, NJ 07403
 Houston, TX 77041

SCALE :
NONE
 SHEET:



DRAWING NO.: _____ REVISION