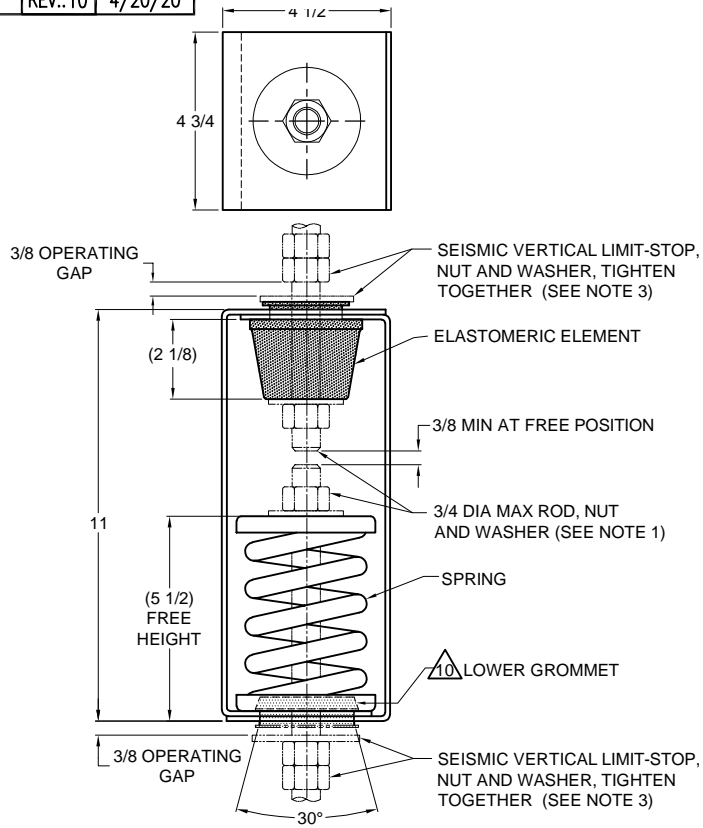


REV.	DESCRIPTION	DATE	BY

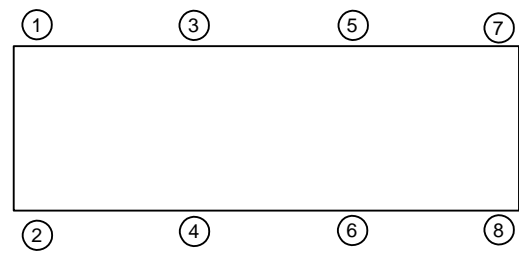


**TYPE HRSA-2D ELASTOMERIC & SPRING ANGULARITY HANGER
FOR 2" NOMINAL DEFLECTION**

HANGER	RATED LOAD (LBS.)	DEFLECTION (IN.)	SPRING RATE (LBS/IN.)	SPRING COLOR CODE	ELEMENT COLOR CODE
HRSA-2D-75	75	2.52	30	WHITE	RE-C-380 BLACK
HRSA-2D-160	160	2.50	64	YELLOW	RE-C-380 BLACK
HRSA-2D-230	230	2.60	88	GREEN	RE-C-380 BLACK
HRSA-2D-355	355	2.62	135	DK BROWN	RE-C-380 BLACK
HRSA-2D-435	435	2.31	188	RED	RE-C-520 RED
HRSA-2D-725	725	1.63	445	TAN	RE-C-840 GREEN
HRSA-2D-845	845	1.58	535	PINK	RE-C-840 GREEN

NOTES:

- HANGER RODS, NUTS AND WASHERS, AS SHOWN, NOT BY THE VMC GROUP.
- STANDARD FINISH: HANGER BOX - PAINTED, POWDER COATED OR GALVANIZED STEEL, SPRING - POWDER COAT.
- SEISMIC VERTICAL LIMIT-STOP HARDWARE REQUIRED FOR SEISMIC APPLICATIONS, NOT BY THE VMC GROUP. INSTALL WASHER .165 THK. MIN. X 2-7/8 O.D. MIN. WITH REQUIRED INSIDE DIAMETER TO ACCOMMODATE ROD SIZE IN USE. THIS CAN BE ACCOMPLISHED BY USING A SINGLE WASHER OR BY STACKING NOT MORE THAN TWO WASHERS.
- ALL DIMENSIONS IN INCHES. INTERPRET PER ANSI Y14.
- ALL DIMENSIONS ARE FOR REFERENCE, DIMENSIONS SHOWN AS NOMINAL.
- ALL SPRINGS ARE DESIGNED WITH MINIMUM 50% OVER-TRAVEL.
- HANGER BOXES ARE AVAILABLE PRE-COMPRESSED UP TO THEIR DESIGNATED MAX. LOAD. PERCENTAGE OF PRE-COMPRESSION TO BE DETERMINED BY ENGINEERED APPLICATION OR AS REQUESTED BY CUSTOMER. CONSULT FACTORY FOR POSSIBLE ADDITIONAL PARAMETERS AND OR LIMITATIONS.
- HANGER BOXES WITH AN ELASTOMERIC ELEMENT HAVE UP TO AN ADDITIONAL 1/2" NOMINAL DEFLECTION.
- RATED DEFLECTIONS ARE WITHIN 25% OF NOMINAL. HIGHER DEFLECTIONS ARE ALLOWED IF THEY MEET SPECIFICATIONS.
- ADD '-M' TO PART NUMBER FOR HANGERS WITH LOWER GROMMET.



ISOLATOR SELECTIONS	
LOC 1:	LOC 2:
LOC 3:	LOC 4:
LOC 5:	LOC 6:
LOC 7:	LOC 8:
CUSTOMER EQPT. TAG:	

NOTE: MATERIAL SHOWN IS FOR (1) SET.

OTHER MATERIALS, COMPOUNDS, OR FINISHES WITH EQUAL OR SUPERIOR PROPERTIES MAY BE SUBSTITUTED AS THEY BECOME AVAILABLE.

CERTIFIED FOR:

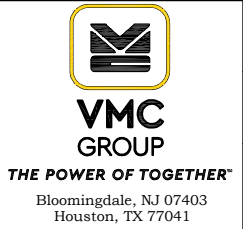
JOB NAME: _____

CUSTOMER : _____

CUSTOMER P.O.: _____

SALES ORDER: _____

**MODEL HRSA-2D 75-845 LBS.
ELASTOMERIC AND SPRING ANGULARITY
HANGERS
2 INCH DEFLECTION**



SCALE: NONE

SHEET: 1 OF 1

DRAWING NO.: _____

REVISION: _____