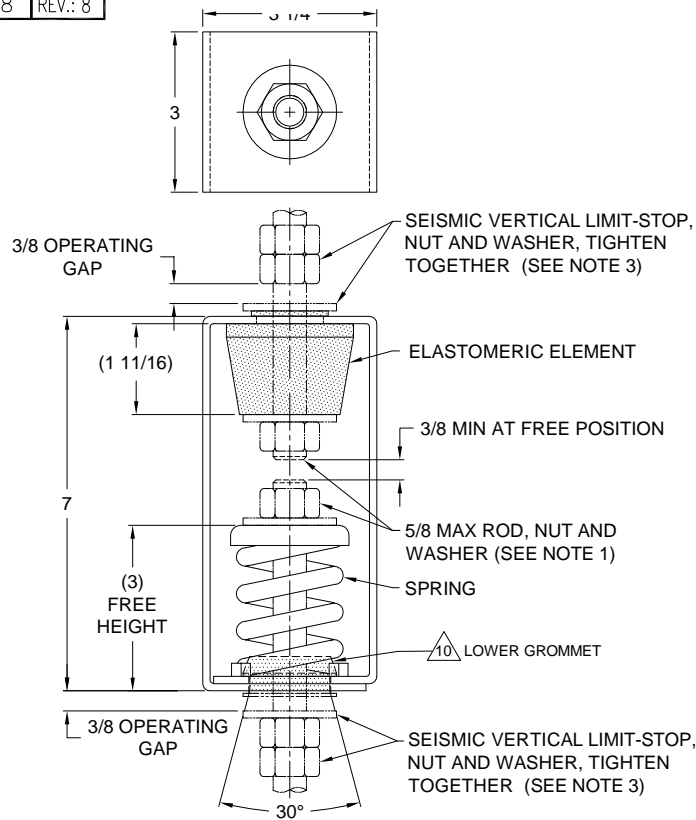


REV.	DESCRIPTION	DATE	BY



TYPE HRSA-1C ELASTOMERIC & SPRING ANGULARITY HANGERS FOR 1" NOMINAL DEFLECTION					
HANGER	RATED LOAD (LBS)	DEFLECTION (IN.)	SPRING RATE (LBS/IN)	SPRING COLOR CODE	ELEMENT LOAD & COLOR CODE
HRSA-1C-15	15	1.04	15	DK. GRAY	RE-B-170 BLACK
HRSA-1C-25	25	1.07	25	GREEN	RE-B-170 BLACK
HRSA-1C-50	50	1.15	50	BLUE	RE-B-170 BLACK
HRSA-1C-100	100	1.29	100	TAN	RE-B-170 BLACK
HRSA-1C-150	150	1.44	150	RED	RE-B-170 BLACK
HRSA-1C-250	250	1.16	300	BLACK	RE-B-380 GREEN
HRSA-1C-300	300	1.14	400	DK. YELLOW	RE-B-380 GREEN
HRSA-1C-370	370	1.24	493	YELLOW	RE-B-380 GREEN

NOTES:

- HANGER RODS, NUTS AND WASHERS, AS SHOWN, NOT BY THE VMC GROUP.
- STANDARD FINISH: HANGER BOX - PAINTED, POWDER COATED OR GALVANIZED STEEL, SPRING - POWDER COAT.
- SEISMIC VERTICAL-STOP HARDWARE REQUIRED FOR SEISMIC APPLICATIONS, NOT BY THE VMC GROUP. INSTALL WASHER .134 THK. MIN. X 1-3/4 O.D. MIN. WITH REQUIRED INSIDE DIAMETER TO ACCOMMODATE ROD SIZE IN USE. THIS CAN BE ACCOMPLISHED BY USING A SINGLE WASHER OR BY STACKING NOT MORE THAN TWO WASHERS.
- ALL DIMENSIONS IN INCHES. INTERPRET PER ANSI Y14.
- ALL DIMENSIONS ARE FOR REFERENCE, DIMENSIONS SHOWN AS NOMINAL.
- ALL SPRINGS ARE DESIGNED WITH MINIMUM 50% OVER-TRAVEL.
- HANGER BOXES ARE AVAILABLE PRE-COMPRESSED UP TO THEIR DESIGNATED MAX. LOAD. PERCENTAGE OF PRE-COMPRESSION TO BE DETERMINED BY ENGINEERED APPLICATION OR AS REQUESTED BY CUSTOMER. CONSULT FACTORY FOR POSSIBLE ADDITIONAL PARAMETERS AND OR LIMITATIONS.
- HANGER BOXES WITH AN ELASTOMERIC ELEMENT HAVE UP TO AN ADDITIONAL 1/2" NOMINAL DEFLECTION.
- RATED DEFLECTIONS ARE WITHIN 25% OF NOMINAL. HIGHER DEFLECTIONS ARE ALLOWED IF THEY MEET SPECIFICATIONS.
- ADD '-M' TO PART NUMBER FOR HANGERS WITH LOWER GROMMET (NOT AVAILABLE PRE-COMPRESSED).



ISOLATOR SELECTIONS

LOC 1:	LOC 2:
LOC 3:	LOC 4:
LOC 5:	LOC 6:
LOC 7:	LOC 8:
CUSTOMER EQPT. TAG:	

NOTE: MATERIAL SHOWN IS FOR (1) SET.

OTHER MATERIALS, COMPOUNDS, OR FINISHES WITH EQUAL OR SUPERIOR PROPERTIES MAY BE SUBSTITUTED AS THEY BECOME AVAILABLE.

CERTIFIED FOR:

JOB NAME: _____
 CUSTOMER: _____
 CUSTOMER P.O.: _____
 SALES ORDER: _____

**MODEL HRSA-1C 15-370 LBS.
 ELASTOMERIC AND SPRING ANGULARITY
 HANGERS
 1 INCH DEFLECTION**



THE VMC GROUP
The Power of Together
 Bloomingdale, NJ 07403
 Houston, TX 77041

SCALE:

NONE

SHEET:



DRAWING NO.:

REVISIO