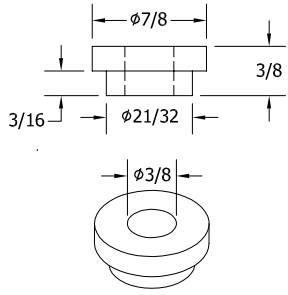
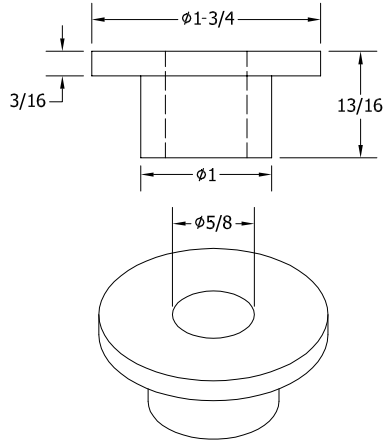


REV.	DESCRIPTION	DATE	BY

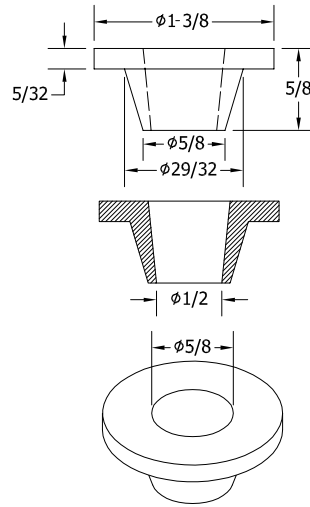
NO.256



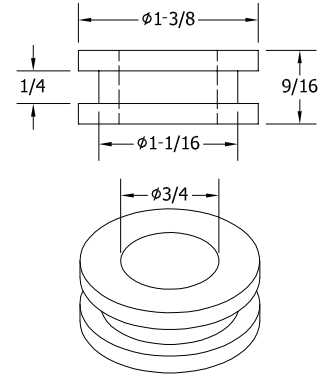
NO.300



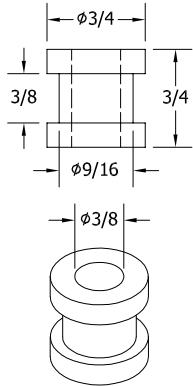
NO.1172



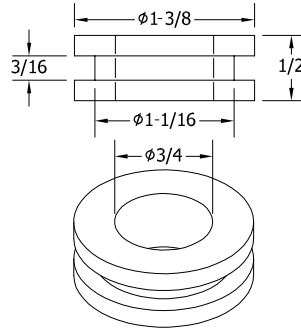
NO.2567



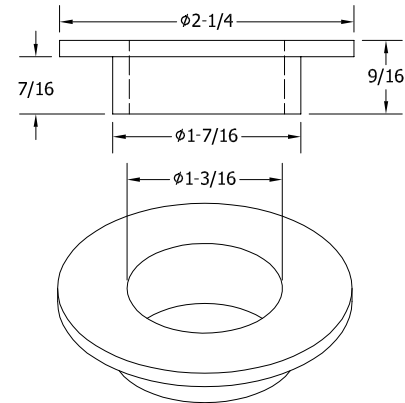
NO.2596



NO.2767



NO.EW-316



OTHER MATERIALS, COMPOUNDS, OR FINISHES WITH EQUAL OR SUPERIOR PROPERTIES MAY BE SUBSTITUTED AS THEY BECOME AVAILABLE.

CERTIFIED FOR:

JOB NAME: _____
 CUSTOMER : _____
 CUSTOMER P.O.: _____
 SALES ORDER: _____

**ELASTOMERIC GROMMET
 VIBRATION ISOLATORS**



THE VMC GROUP
The Power of Together
 Bloomingdale, NJ 07403
 Houston, TX 77041

SCALE :

NONE

SHEET:

1 OF 1

DRAWING NO.:

REVISION

