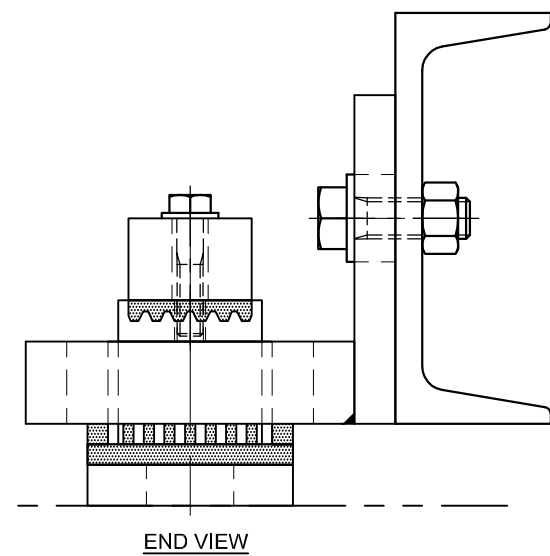
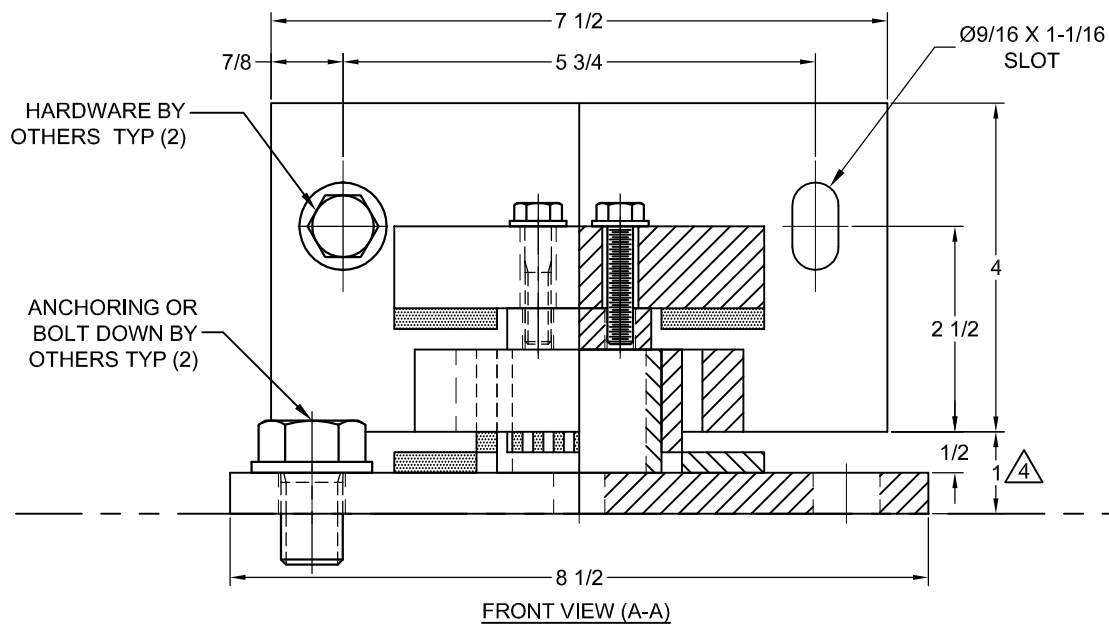
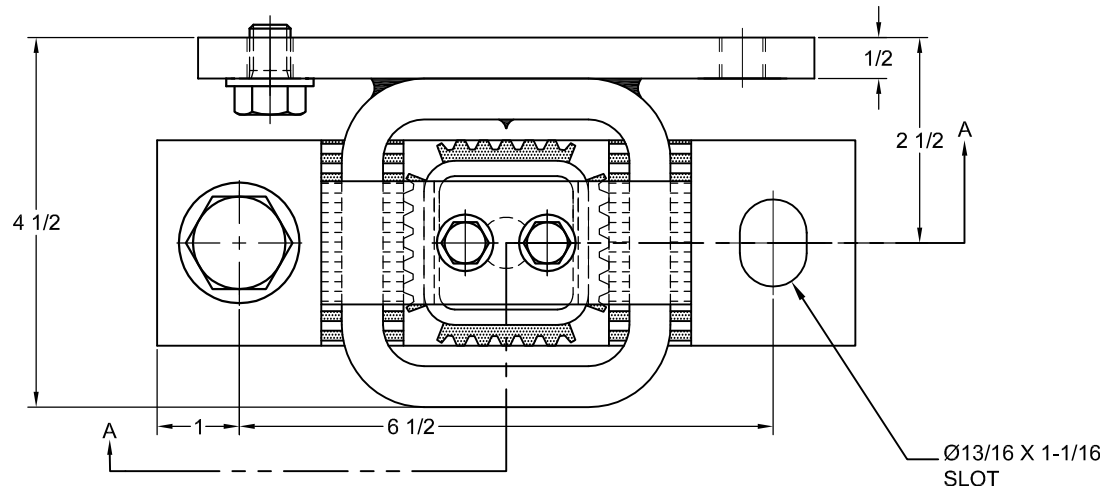


REV.	DESCRIPTION	DATE	BY

SEISMIC RESTRAINT SYSTEM RAITING

1. THE ERX SEISMIC RESTRAINT SYSTEM IS RATED AT 17,900 POUNDS FORCE WITH FOUR ERX, ONE LOCATED AT EACH OTHER CORNER OF AN ISOLATED EQUIPMENT BASE. BASE DISPLACEMENT IS LIMITED TO 1/4 INCH IN ALL DIRECTIONS. RATING IS BASED ON 3/4" ANCHORS IN 3000 PSI CONCRETE.
2. TO DETERMINE THE NUMBER OF RESTRAINTS REQUIRED, DIVIDE THE EQUIPMENT & BASE WEIGHT BY 17,900 POUNDS AND MULTIPLY BY 4 TIMES THE SPECIFIED "G" ACCELERATION. ROUND UP THE RESULT TO THE NEAREST EVEN INTEGER. (FOUR RESTRAINTS MINIMUM).
3. IF THE TOTAL SUPPORTED WEIGHT EXCEEDS 2/3 OF THE RATING (I.E. 2950 POUNDS TIMES THE NUMBER OF RESTRAINTS) AND THE EQUIPMENT HEIGHT IS GREATER THAN 1.25 TIMES THE BASE WIDTH (NARROW DIMENSION). AMBER/BOOTH MUST PERFORM AN OVERTURNING CALCULATION TO DETERMINE THAT THE RESTRAINTS WILL RESIST THE GIVEN SEISMIC FORCES.
4. A 1-INCH OPERATING CLEARANCE IS SHOWN. OPERATING CLEARANCES MAY RANGE FROM 1 TO 2 INCHES. AMBER BOOTH MUST BE ADVISED BEFORE FABRICATION IF CLEARANCE IS OTHER THAN 1".



OTHER MATERIALS, COMPOUNDS, OR FINISHES WITH EQUAL OR SUPERIOR PROPERTIES MAY BE SUBSTITUTED AS THEY BECOME AVAILABLE.

CERTIFIED FOR:

JOB NAME: _____

CUSTOMER : _____

CUSTOMER P.O.: _____

SALES ORDER: _____

MODEL ERX. SNUBBED SEISMIC RESTRAINT SYSTEM FOR ISOLATED EQUIPMENT



THE VMC GROUP
 The Power of Together
 Bloomingdale, NJ 07403
 Houston, TX 77041

SCALE :
 NONE

SHEET:

DRAWING NO.:



REVISION