

REV.	DESCRIPTION	DATE	BY

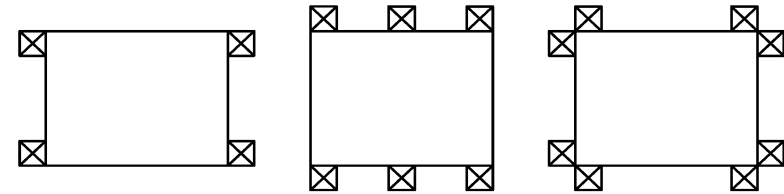
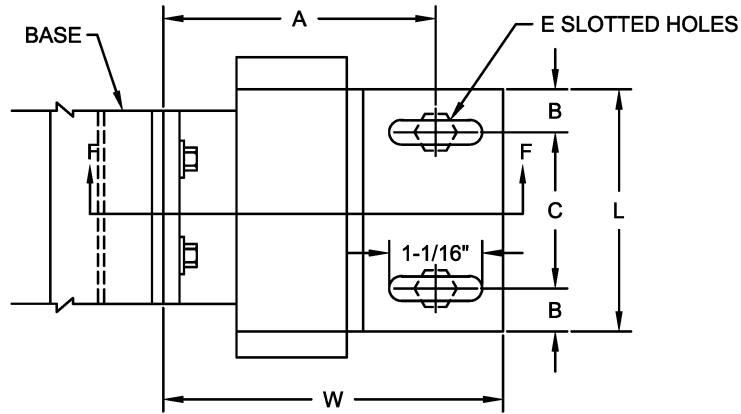
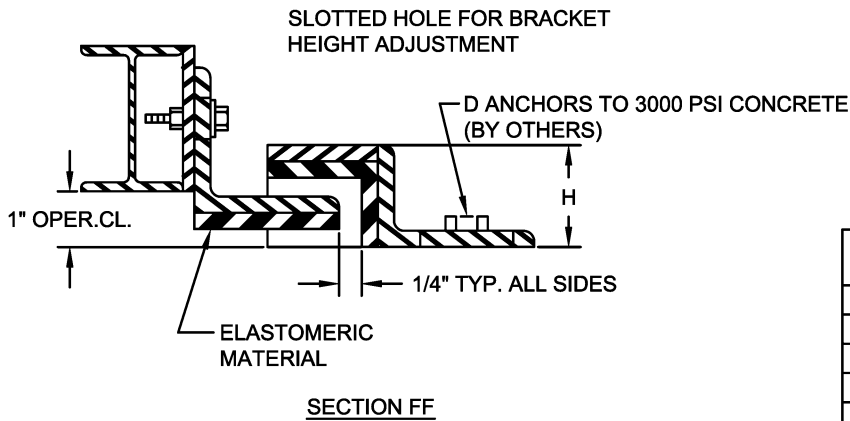


FIGURE 1 (4 RESTRAINTS) FIGURE 2 (6 RESTRAINTS) FIGURE 3 (8 RESTRAINTS)
RESTRAINT LAYOUT - STRUCTURAL STEEL (PLAN VIEW)

NOTES

- 1) LOAD RATINGS ARE MAXIMUM ALLOWABLES BASED ON 1.00 G ACCELERATION.
- 2) ANCHORS TO CONCRETE MUST BE ITW RAMSET/RED HEAD OR EQUIVALENT.
- 3) CONTRACTOR TO FIELD WELD CONCRETE ANCHORS TO BODY OF RESTRAINT AND ANGLE CLIP TO BASE AFTER EQUIPMENT IS IN FINAL OPERATING POSITION.
- 4) MAXIMUM LOAD IS TOTAL OF EQUIPMENT AND BASE WEIGHT.



RESTRAINT MODEL	MAX LOAD (LB)			DIMENSIONS (IN)							
	FIG.1	FIG.2	FIG.3	A	B	C	D	E	H	L	W
ER-A-1	1300	1975	2625	3-3/4	3/4	2-1/2	3/8	7/16	1-1/2	4	4-1/2
ER-B-1	2400	3625	5575	4	3/4	3-1/2	3/8	7/16	1-5/8	5	5-1/2
ER-C-1	3450	5175	7975	4	1	5	3/8	7/16	1-5/8	7	5-1/2
ER-D-1	4650	7000	10,650	6	1	6	1/2	9/16	2	8	7-1/2
ER-E-1	7900	11,850	15,800	6	1	9	5/8	11/16	2	11	7-1/2



OTHER MATERIALS, COMPOUNDS OR FINISHES WITH EQUAL OR SUPERIOR PROPERTIES MAY BE SUBSTITUTED AS THEY BECOME AVAILABLE.

CERTIFIED FOR:

JOB NAME: _____
 CUSTOMER : _____
 CUSTOMER P.O.: _____
 SALES ORDER: _____

MODEL ER-1 1300-15800 LBS. SNUBBED SEISMIC RESTRAINTS FOR STEEL BASE AND RAILS



THE VMC GROUP
The Power of Together
 Bloomingdale, NJ 07403
 Houston, TX 77041

SCALE:

NONE

SHEET:



DRAWING NO.:

REVISION