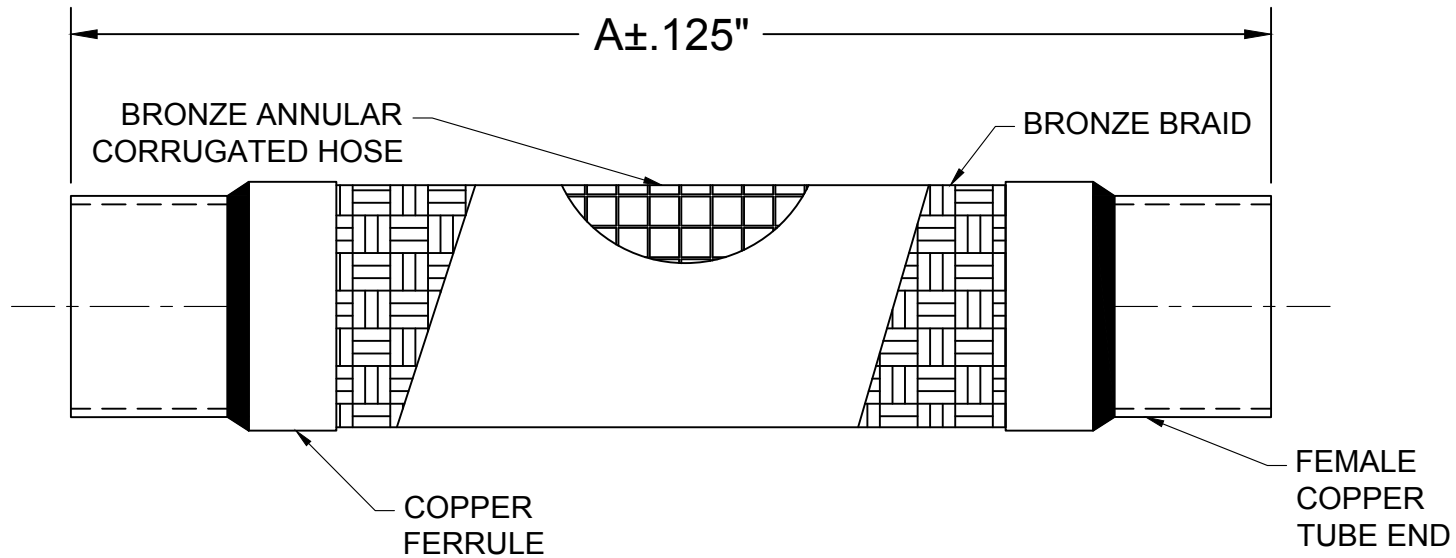


REV.	DESCRIPTION	DATE	BY



MATERIAL:
 HOSE - BRONZE
 BRAID - BRONZE
 MALE FITTINGS - WROUGHT COPPER

- NOTES:**
1. MAXIMUM WORKING PRESSURE RATINGS ARE BASED ON A TEMPERATURE OF 70°F.
 2. 2-1/2" I.D. AND LARGER ARE ONLY AVAILABLE WITH STAINLESS STEEL HOSE AND BRAID: TYPE BR-FS(SS).
 3. HOSE AND BRAID CONSTRUCTION - BR-FS: BRONZE.
 4. FEMALE SWEET END CONSTRUCTION - COPPER.

Nominal Hose I.D.	To Fit Copper Tube		Dimensions Length +/- 1/4"	Max. Working Pressure @ 70°F	Min. Burst Pressure (PSIG)	Approx. Weight in lbs. (bulk)	VMC Part Numbers
	Nominal Size	Actual O.D.					
1/4"	1/8"	1/4"	7 1/2	450	2250	0.17	BR-FS-2
3/8"	1/4"	3/8"	8 1/4	450	2250	0.30	BR-FS-3
3/8"	3/8"	1/2"	9	450	2250	0.33	BR-FS-4
1/2"	1/2"	5/8"	9 3/4	450	2250	0.44	BR-FS-5
1/2"	5/8"	3/4"	10	450	2250	0.44	BR-FS-6
3/4"	5/8"	3/4"	11 1/4	440	2200	0.78	BR-FS-7
3/4"	3/4"	7/8"	11 1/2	440	2200	0.84	BR-FS-8
1"	1"	1 1/8"	13	400	2000	1.20	BR-FS-9
1 1/4"	1 1/4"	1 3/8"	14 3/4	480	2400	2.00	BR-FS-10
1 1/2"	1 1/2"	1 5/8"	17	420	2100	2.80	BR-FS-11
2"	2"	2 1/8"	20	190	950	4.50	BR-FS-12

OTHER MATERIALS, COMPOUNDS, OR FINISHES WITH EQUAL OR SUPERIOR PROPERTIES MAY BE SUBSTITUTED AS THEY BECOME AVAILABLE.

CERTIFIED FOR:

JOB NAME: _____
 CUSTOMER : _____
 CUSTOMER P.O.: _____
 SALES ORDER: _____

**MODEL BR-FS
 METAL-FLEX FREON
 FLEXIBLE CONNECTORS**



THE VMC GROUP
The Power of Together
 Bloomingdale, NJ 07403
 Houston, TX 77041

SCALE :

NONE

SHEET:



DRAWING NO.:

REVISION