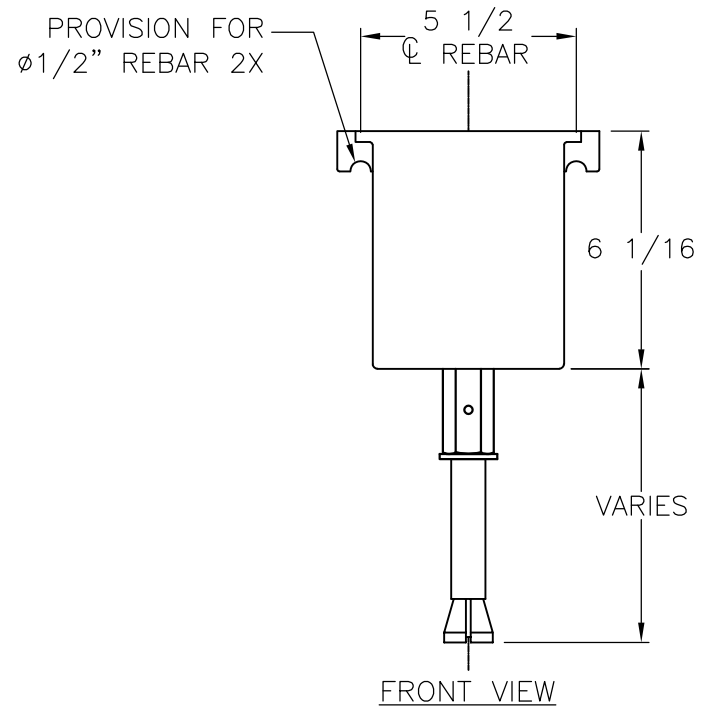
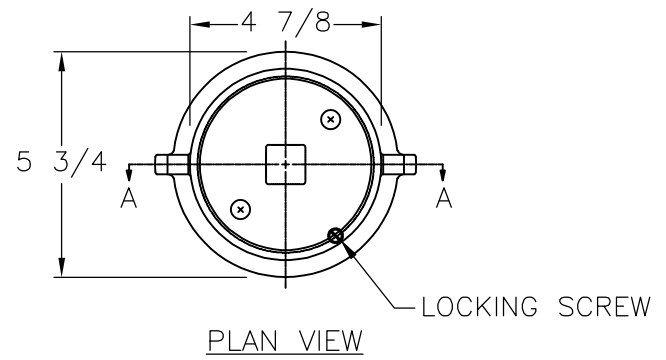
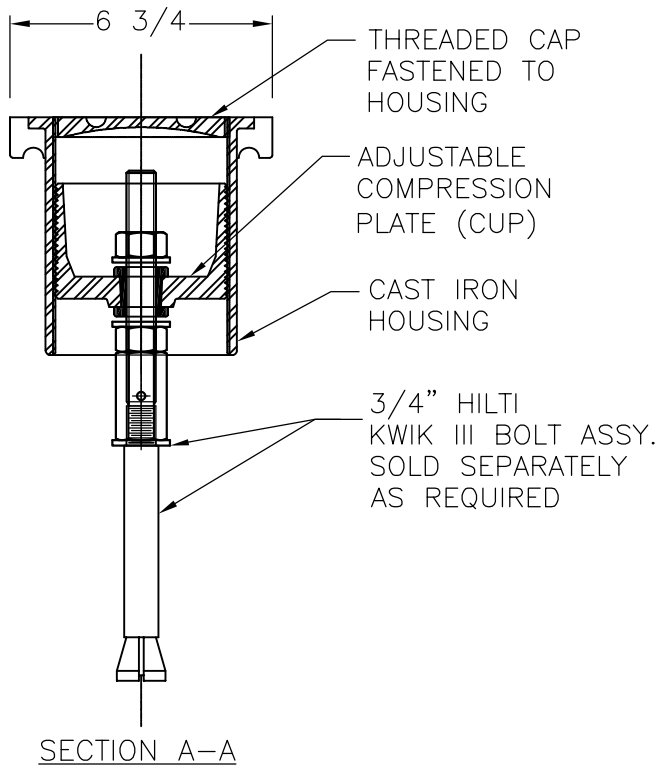


REV.	DESCRIPTION	DATE	BY



- NOTES:**
1. ALL DIMENSIONS IN INCHES. INTERPRET PER ANSI Y14.
  2. FINISH: HARDWARE ELECTO-ZINC PLATED.
  3. REFER TO DRAWING 2 OF 2 FOR INSTALLATION INSTRUCTIONS.

OTHER MATERIALS, COMPOUNDS, OR FINISHES WITH EQUAL OR SUPERIOR PROPERTIES MAY BE SUBSTITUTED AS THEY BECOME AVAILABLE.

**CERTIFIED FOR:**

JOB NAME: \_\_\_\_\_

CUSTOMER: \_\_\_\_\_

CUSTOMER P.O.: \_\_\_\_\_

SALES ORDER: \_\_\_\_\_

**MODEL ASFM-6 SEISMIC FLOOR RESTRAINT**

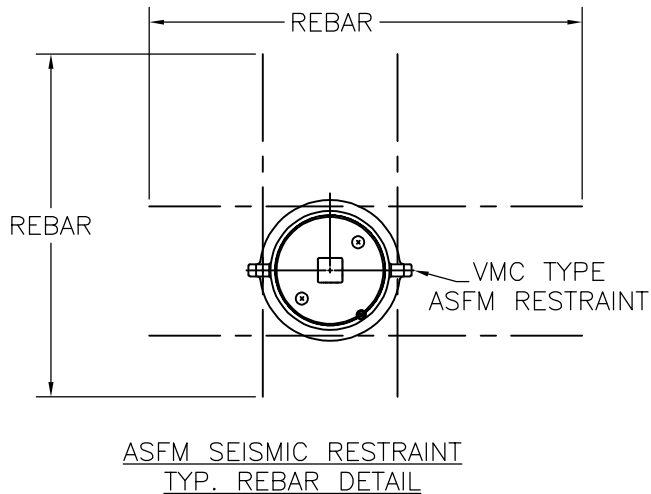
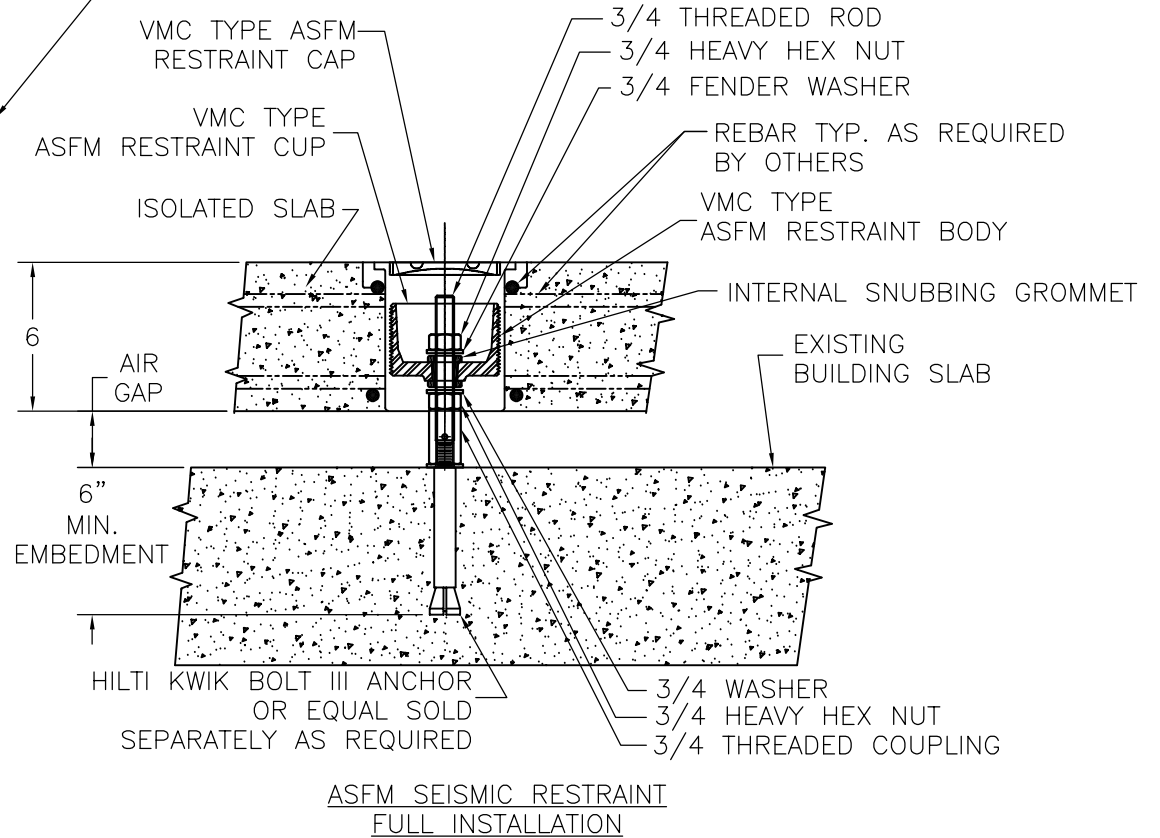
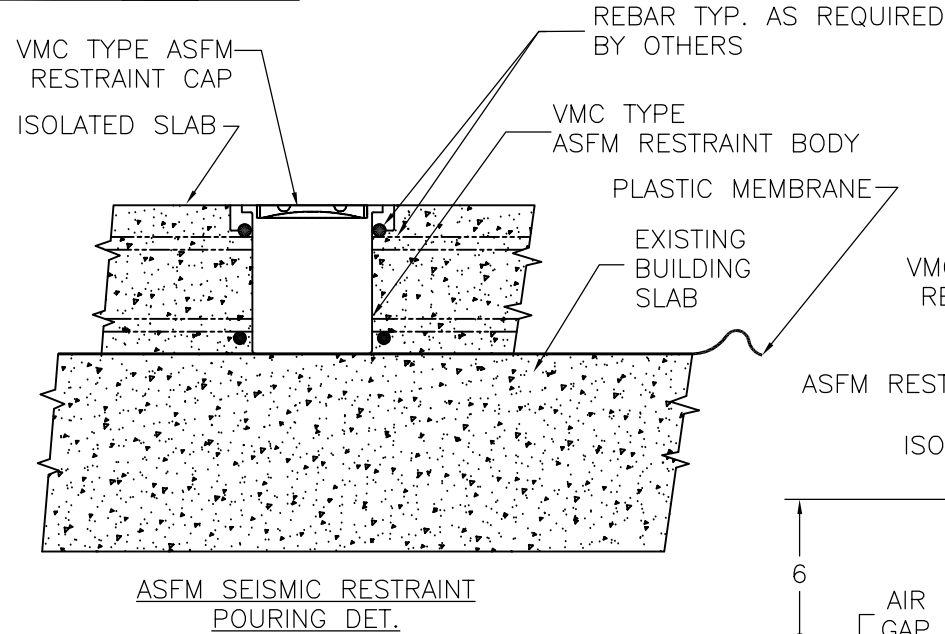
**VMC GROUP**

THE POWER OF TOGETHER™

Bloomington, NJ 07403  
Houston, TX 77041

SCALE:	NONE	
SHEET:		
DRAWING NO.:		REVISION

REV.	DESCRIPTION	DATE	BY



OTHER MATERIALS, COMPOUNDS, OR FINISHES WITH EQUAL OR SUPERIOR PROPERTIES MAY BE SUBSTITUTED AS THEY BECOME AVAILABLE.

**CERTIFIED FOR:**

JOB NAME: \_\_\_\_\_  
 CUSTOMER: \_\_\_\_\_  
 CUSTOMER P.O.: \_\_\_\_\_  
 SALES ORDER: \_\_\_\_\_

**MODEL ASFM-6 SEISMIC FLOOR RESTRAINT INSTALLATION**



**VMC GROUP**  
 THE POWER OF TOGETHER™  
 Bloomingdale, NJ 07403  
 Houston, TX 77041

SCALE: NONE	Member <b>VISCMA</b>
SHEET:	
DRAWING NO.:	REVISION